



www.GetGreenLighting.com
Induction Lighting Provider
(614) 556-7118

G G L - A D - 2 0 - L 1 4 0

Adjust-A-Light Area/Wall Fixture
With Flood Reflector



Housing:

- ✓ Die cast housing, front frame & ballast box with powder coat finish over a chromate conversion coating.
- ✓ Housing swivels from 0° to 30° & includes angle indicators at adjustment points.
- ✓ Hinged from frame and latch for tool-less entry for relamping.

Lens:

- ✓ Tempered glass lens

Mounting:

- ✓ Easy-Hang wall bracket included which allows one person mounting. Optional pole mount brackets for one to four fixtures

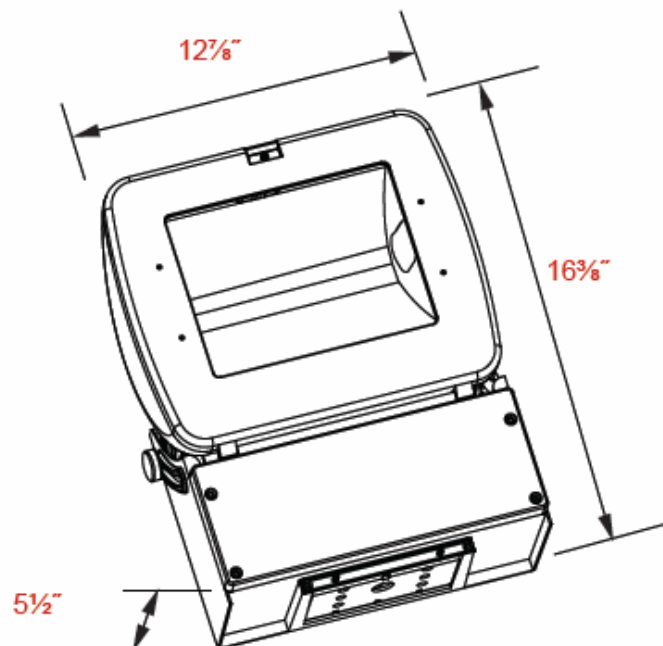
Wattage:

- ✓ 40W, 5000K

Listing & Ratings:

- ✓ CSA Listed for wet locations.

Custom colors available upon request.





www.GetGreenLighting.com
 Induction Lighting Provider
 (614) 556-7118

G G L - A D - 2 0 - L 1 4 0

Adjust-A-Light Area/Wall Fixture With Flood Reflector

Catalog Number	Wattage	Voltage	Lamp	Ballast
GGL-AD-20-L1401205K*	40	120	Induction	Electronic
GGL-AD-20-L1401205K*	40	240	Induction	Electronic
GGL-AD-20-L1401205K*	40	277	Induction	Electronic
*Specify Color: GP =Graphite, BK =Black, WH =White, GR =Gray BZ =Bronze				



AD20PB1

Mounting Options	
Catalog Number	Description
AD20PB1*	Single Pole Mount Bracket, Steel, Bronze Finish
AD20PB2*	Double Pole Mount Bracket, Steel, Bronze Finish
AD20PB2C*	Cover for Double Bracket, Aluminum, Bronze Finish
AD20PB3*	Triple Pole Mount bracket, Steel, Bronze Finish
AD20PB3C*	Cover for Triple Bracket, Steel, Bronze Finish
AD20PB4*	Quad Pole Mount Bracket, Steel, Bronze Finish
AD20PB4C*	Cover for Quad Bracket, Aluminum, Bronze Finish
ADPBC*	Decorative Cap for Brackets, Aluminum, Bronze Finish (not for use with covers)
*Specify Color: BK =Black, BZ =Bronze, WH =White	



AD20PB2



AD20PB2C
(Shown Mounted)



AD20PB3



AD20PB3C
(Shown Mounted)



AD20PB4C
(Shown Mounted)



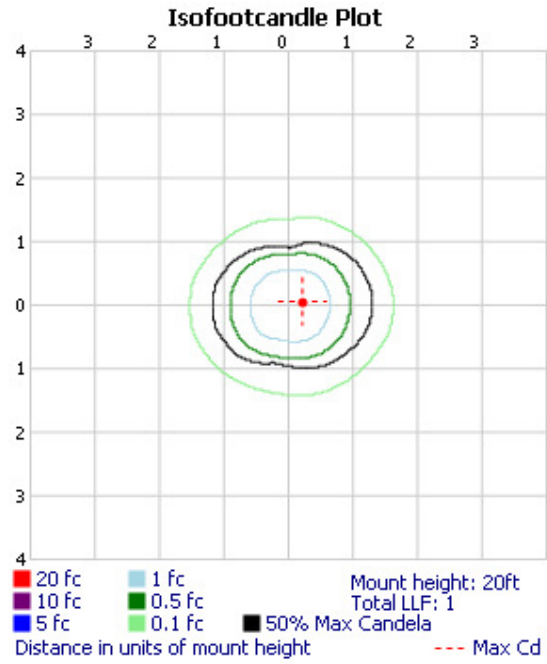
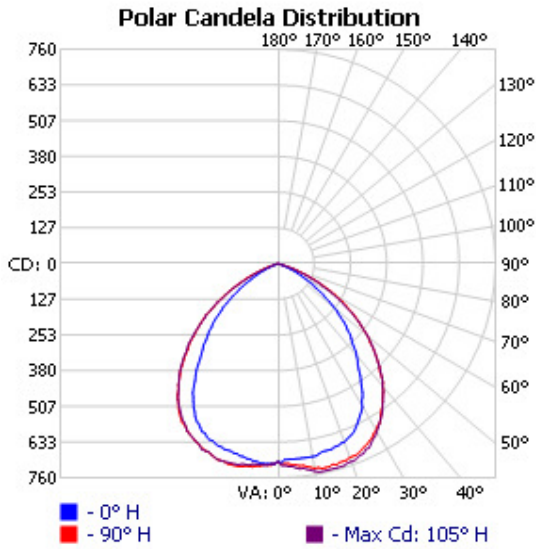
ADPBC



G G L - A D - 2 0 - L 1 4 0

Adjust-A-Light Area/Wall Fixture With Flood Reflector

Photometric Data:



ZONAL LUMEN SUMMARY

Zone	Lumens	% Lamp	% Luminaire
0-30	584.4	20.9%	36.6%
0-40	950.3	33.9%	59.5%
0-60	1,505.1	53.8%	94.2%
60-90	93.3	3.3%	5.8%
70-100	5.3	0.2%	0.3%
90-120	0	0%	0%
0-90	1,598.3	57.1%	100%
90-180	0	0%	0%
0-180	1,598.3	57.1%	100%

LUMENS PER ZONE

Zone	Lumens	% Total	Zone	Lumens	% Total
0-10	67.6	4.2%	90-100	0	0%
10-20	201.5	12.6%	100-110	0	0%
20-30	315.2	19.7%	110-120	0	0%
30-40	365.9	22.9%	120-130	0	0%
40-50	330.7	20.7%	130-140	0	0%
50-60	224.1	14.0%	140-150	0	0%
60-70	88.0	5.5%	150-160	0	0%
70-80	5.3	0.3%	160-170	0	0%
80-90	0	0.0%	170-180	0	0%

ROADWAY SUMMARY

Cutoff Classification:	FULL CUTOFF	
Distribution:	TYPE I, VERY SHORT	
Max Cd, 90 Deg Vert:	0	
Max Cd, 80 to <90 Deg:	0	
	Lumens	% Lamp
Downward Street Side:	790.0	28.2%
Downward House Side:	808.5	28.9%
Downward Total:	1,598.6	57.1%
Upward Street Side:	0	0%
Upward House Side:	0	0%
Upward Total:	0	0%
Total Lumens:	1,598.6	57.1%

LCS TABLE

BUG Rating	B1 - U0 - G0	
	Lumens	%
Forward Light		
Low(0-30):	289.6	10.3%
Medium(30-60):	454.6	16.2%
High(60-80):	45.8	1.6%
Very High(80-90):	0	0%
Back Light		
Low(0-30):	294.7	10.5%
Medium(30-60):	466.4	16.7%
High(60-80):	47.4	1.7%
Very High(80-90):	0	0%
Uplight		
Low(90-100):	0	0%
High(100-180):	0	0%
Trapped Light:	1,201.4	42.9%