



www.GetGreenLighting.com
Induction Lighting Provider
(614) 556-7118

G G L - A D - 4 0 - W 1

Large Adjust-A-Light Area/Wall Fixture With Wide Angle Reflector



Housing:

- ✓ Die cast housing, front frame & ballast box with powder coat finish over a chromate conversion coating.
- ✓ Housing swivels from 0° to 30° & includes angle indicators at adjustment points.
- ✓ Hinged from frame and latch for tool-less entry for relamping.

Lens:

- ✓ Tempered glass lens

Reflector:

- ✓ Aluminum wide angle reflector

Mounting:

- ✓ Easy-Hang wall bracket included which allows one person mounting. Optional pole mount brackets for one to four fixtures

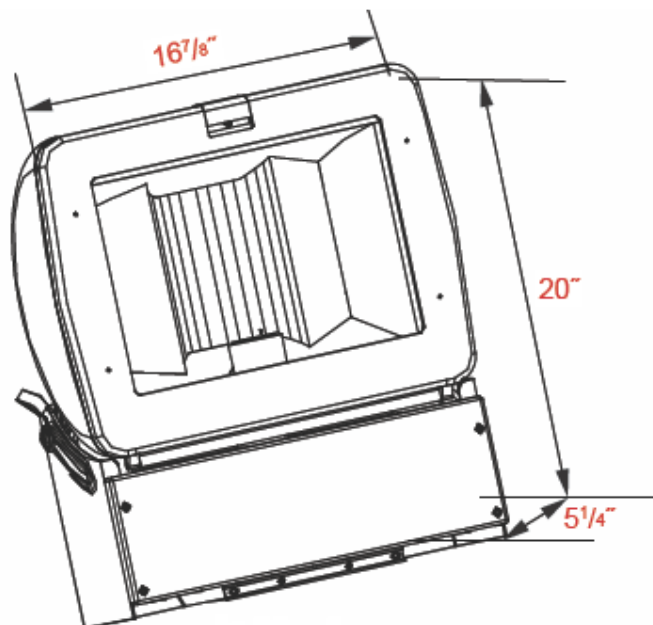
Wattage:

- ✓ 40W or 5000K

Listing & Ratings:

- ✓ CSA Listed for wet locations.

Custom colors available upon request.





www.GetGreenLighting.com
 Induction Lighting Provider
 (614) 556-7118

G G L - A D - 4 0 - W 1

Large Adjust-A-Light Area/Wall Fixture With Wide Angle Reflector

| Catalog Number | Wattage | Voltage | Lamp | Ballast |
|----------------------|---------|---------|-----------|------------|
| GGL-AD-40-W1401205K* | 40 | 120 | Induction | Electronic |
| GGL-AD-40-W1402405K* | 40 | 240 | Induction | Electronic |
| GGL-AD-40-W1402775K* | 40 | 277 | Induction | Electronic |
| GGL-AD-40-W1802775K* | 80 | 120 | Induction | Electronic |
| GGL-AD-40-W1802775K* | 80 | 240 | Induction | Electronic |
| GGL-AD-40-W1802775K* | 80 | 277 | Induction | Electronic |

*Specify Color: **GP**=Graphite, **BK**=Black, **WH**=White, **GR**=Gray **BZ**=Bronze

| Mounting Options | |
|------------------|--|
| Catalog Number | Description |
| AD40PB1* | Single Pole Mount Bracket, Steel, Bronze Finish |
| AD4020PB2* | Double Pole Mount Bracket, Steel, Bronze Finish |
| AD40PB2C* | Cover for Double Bracket, Aluminum, Bronze Finish |
| AD40PB3* | Triple Pole Mount bracket, Steel, Bronze Finish |
| AD40PB3C* | Cover for Triple Bracket, Steel, Bronze Finish |
| AD40PB4* | Quad Pole Mount Bracket, Steel, Bronze Finish |
| AD40PB4C* | Cover for Quad Bracket, Aluminum, Bronze Finish |
| ADPBC* | Decorative Cap for Brackets, Aluminum, Bronze Finish (not for use with covers) |

*Specify Color: **BK**=Black, **BZ**=Bronze, **WH**=White



AD40PB1



AD40PB2



AD40PB2C
(Shown Mounted)



AD40PB3



AD40PB3C
(Shown Mounted)



AD40PB4



AD40PB4C
(Shown Mounted)



ADPBC

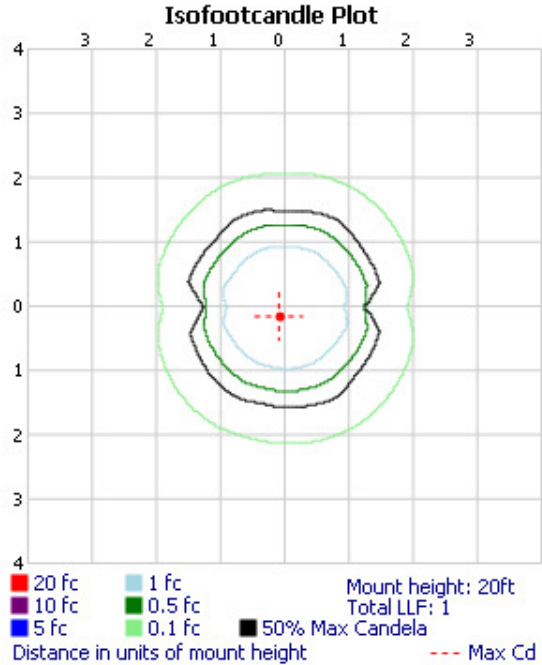
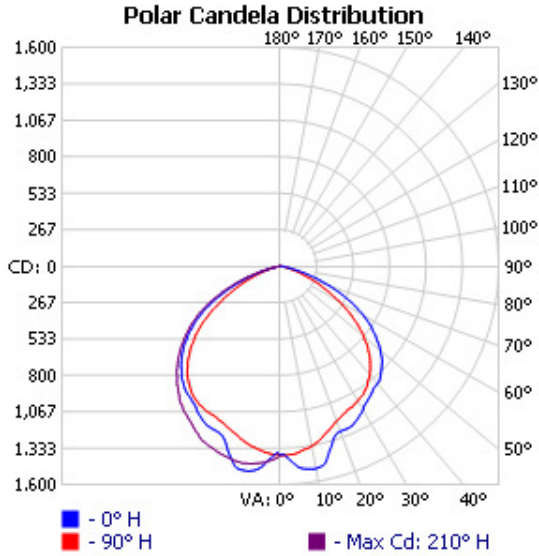


www.GetGreenLighting.com
 Induction Lighting Provider
 (614) 556-7118

G G L - A D - 4 0 - W 1

Large Adjust-A-Light Area/Wall Fixture With Wide Angle Reflector

Photometric Data 80w:



ZONAL LUMEN SUMMARY

| Zone | Lumens | % Lamp | % Luminaire |
|--------|---------|--------|-------------|
| 0-30 | 1,130.1 | 17.7% | 28.1% |
| 0-40 | 1,877.5 | 29.3% | 46.7% |
| 0-60 | 3,411.5 | 53.3% | 84.9% |
| 60-90 | 607.6 | 9.5% | 15.1% |
| 70-100 | 138.4 | 2.2% | 3.4% |
| 90-120 | 0 | 0% | 0% |
| 0-90 | 4,019.2 | 62.8% | 100% |
| 90-180 | 0 | 0% | 0% |
| 0-180 | 4,019.2 | 62.8% | 100% |

LUMENS PER ZONE

| Zone | Lumens | % Total | Zone | Lumens | % Total |
|-------|--------|---------|---------|--------|---------|
| 0-10 | 137.8 | 3.4% | 90-100 | 0 | 0% |
| 10-20 | 398.6 | 9.9% | 100-110 | 0 | 0% |
| 20-30 | 593.8 | 14.8% | 110-120 | 0 | 0% |
| 30-40 | 747.4 | 18.6% | 120-130 | 0 | 0% |
| 40-50 | 810.7 | 20.2% | 130-140 | 0 | 0% |
| 50-60 | 723.3 | 18.0% | 140-150 | 0 | 0% |
| 60-70 | 469.3 | 11.7% | 150-160 | 0 | 0% |
| 70-80 | 138.0 | 3.4% | 160-170 | 0 | 0% |
| 80-90 | 0.4 | 0.0% | 170-180 | 0 | 0% |

ROADWAY SUMMARY

| | | |
|------------------------|----------------|--------------|
| Cutoff Classification: | FULL CUTOFF | |
| Distribution: | Type VS | |
| Max Cd, 90 Deg Vert: | 0 | |
| Max Cd, 80 to <90 Deg: | 14.9 | |
| | Lumens | % Lamp |
| Downward Street Side: | 2,013.3 | 31.5% |
| Downward House Side: | 2,006.4 | 31.3% |
| Downward Total: | 4,019.6 | 62.8% |
| Upward Street Side: | 0 | 0% |
| Upward House Side: | 0 | 0% |
| Upward Total: | 0 | 0% |
| Total Lumens: | 4,019.6 | 62.8% |

LCS TABLE

| BUG Rating | B2 - U0 - G0 | |
|-----------------------|----------------|--------------|
| Forward Light | Lumens | Lumens % |
| Low(0-30): | 563.6 | 8.8% |
| Medium(30-60): | 1,140.6 | 17.8% |
| High(60-80): | 308.8 | 4.8% |
| Very High(80-90): | 0.2 | 0% |
| Back Light | | |
| Low(0-30): | 566.5 | 8.9% |
| Medium(30-60): | 1,141.2 | 17.8% |
| High(60-80): | 298.5 | 4.7% |
| Very High(80-90): | 0.1 | 0% |
| Uplight | | |
| Low(90-100): | 0 | 0% |
| High(100-180): | 0 | 0% |
| Trapped Light: | 2,380.4 | 37.2% |