



[www.GetGreenLighting.com](http://www.GetGreenLighting.com)  
Induction Lighting Provider  
(614) 556-7118

## GGL-CP-80-I Gas Station Canopy Induction Fixture



### Housing:

- ✓ Die cast aluminum housing & hinged top frame.
- ✓ Safety cable restraint.
- ✓ ½" coin plugs with O-rings for conduit.
- ✓ White power coat finish over a chromate conversion coating.
- ✓ Stainless steel latches provide tool-less entry for relamping.
- ✓ White powder coat finish over a chromate conversion coating.

### Reflector:

- ✓ White powder coat steel reflector.

### Lens:

- ✓ Molded prismatic steel reflector.

### Mounting:

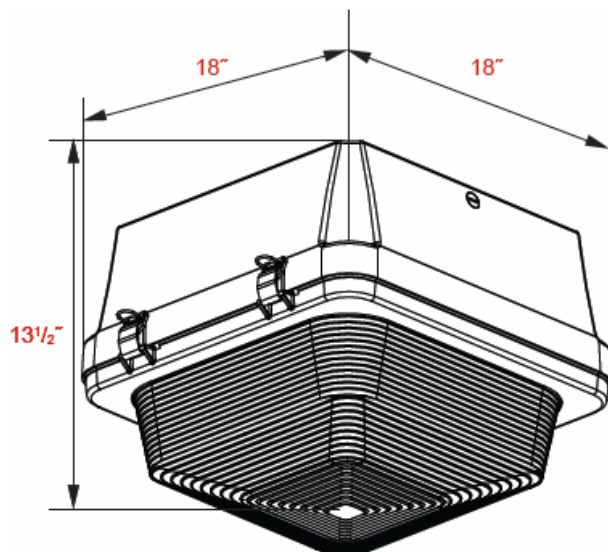
- ✓ Cast-in template for mounting directly over a 4" recessed outlet box or use ½" surface conduit. Optional trim ring available.

### Wattage:

- ✓ 100, 120, 150, 200 or 250w, 5000K

### Listing & Ratings:

- ✓ CSA Listed for dry locations.





[www.GetGreenLighting.com](http://www.GetGreenLighting.com)  
Induction Lighting Provider  
(614) 556-7118

## G G L - C P - 8 0 - I

### Gas Station Canopy Induction Fixture

Catalog Number	Wattage	Voltage	Lamp	Ballast
GGL-CP-80-I-100-1205K*	100	120	Induction	Electronic
GGL-CP-80-I-100-2405K*	100	240	Induction	Electronic
GGL-CP-80-I-100-2775K*	100	277	Induction	Electronic
GGL-CP-80-I-120-1205K*	120	120	Induction	Electronic
GGL-CP-80-I-120-2405K*	120	240	Induction	Electronic
GGL-CP-80-I-120-2775K*	120	277	Induction	Electronic
GGL-CP-80-I-150-1205K*	150	120	Induction	Electronic
GGL-CP-80-I-150-2405K*	150	240	Induction	Electronic
GGL-CP-80-I-150-2775K*	150	277	Induction	Electronic
GGL-CP-80-I-200-1205K*	200	120	Induction	Electronic
GGL-CP-80-I-200-2405K*	200	240	Induction	Electronic
GGL-CP-80-I-200-2775K*	200	277	Induction	Electronic
GGL-CP-80-I-250-1205K*	250	120	Induction	Electronic
GGL-CP-80-I-250-2405K*	250	240	Induction	Electronic
GGL-CP-80-I-250-2775K*	250	277	Induction	Electronic

Options	
Catalog Number	Description
CP80TR	Trim ring for recessed mounting, includes hardware

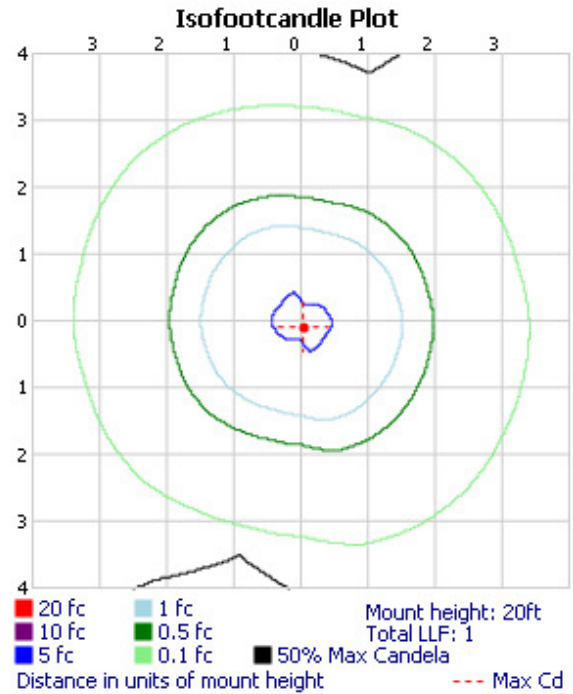
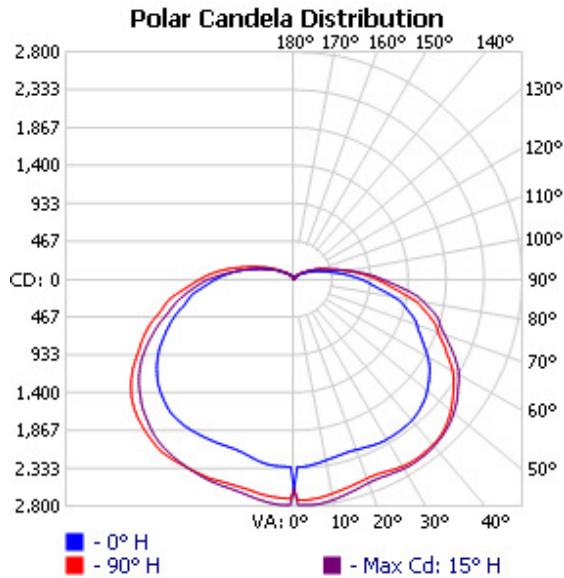




# G G L - C P - 8 0 - I

## Gas Station Canopy Induction Fixture

### Photometric Data 200w:



ZONAL LUMEN SUMMARY			
ZONE	LUMENS	% LAMP	% LUMINAIRE
0-30	2,097.6	11.7%	14.5%
0-40	3,638.8	20.2%	25.1%
0-60	7,542.6	41.9%	52%
60-90	5,127.8	28.5%	35.4%
70-100	4,028.1	22.4%	27.8%
90-120	1,651.7	9.2%	11.4%
0-90	12,670.5	70.4%	87.4%
90-180	1,826.9	10.1%	12.6%
0-180	14,497.4	80.5%	100%

LUMENS PER ZONE					
ZONE	LUMENS	% TOTAL	ZONE	LUMENS	% TOTAL
0-10	246.7	1.7%	90-100	900.7	6.2%
10-20	711.5	4.9%	100-110	494.5	3.4%
20-30	1,139.5	7.9%	110-120	256.5	1.8%
30-40	1,541.2	10.6%	120-130	112.9	0.8%
40-50	1,864.1	12.9%	130-140	47.5	0.3%
50-60	2,039.7	14.1%	140-150	12.5	0.1%
60-70	2,000.5	13.8%	150-160	1.3	0%
70-80	1,760.8	12.1%	160-170	0.7	0%
80-90	1,366.6	9.4%	170-180	0.2	0%

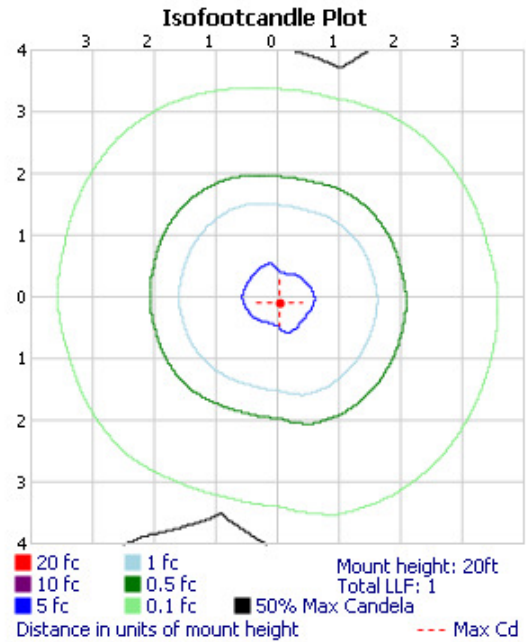
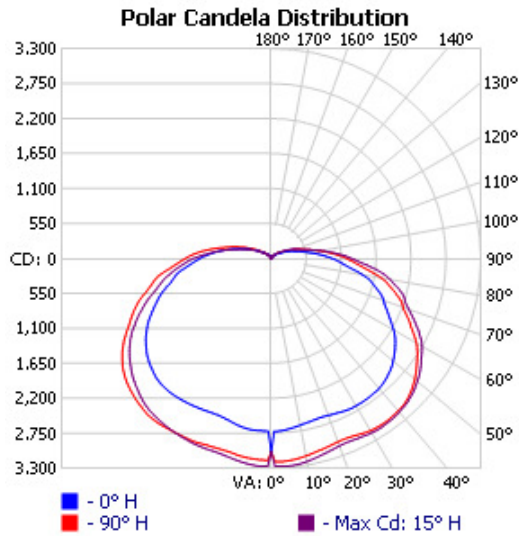


**www.GetGreenLighting.com**  
 Induction Lighting Provider  
 (614) 556-7118

# G G L - C P - 8 0 - I

## Gas Station Canopy Induction Fixture

### Photometric Data 250w:



ZONAL LUMEN SUMMARY			
ZONE	LUMENS	% LAMP	% LUMINAIRE
0-30	2,461.2	11.7%	14.5%
0-40	4,269.5	20.2%	25.1%
0-60	8,850.0	41.9%	52%
60-90	6,016.7	28.5%	35.4%
70-100	4,726.3	22.4%	27.8%
90-120	1,938.0	9.2%	11.4%
0-90	14,866.7	70.4%	87.4%
90-180	2,143.6	10.1%	12.6%
0-180	17,010.3	80.5%	100%

LUMENS PER ZONE					
ZONE	LUMENS	% TOTAL	ZONE	LUMENS	% TOTAL
0-10	289.4	1.7%	90-100	1,056.9	6.2%
10-20	834.8	4.9%	100-110	580.2	3.4%
20-30	1,337.0	7.9%	110-120	300.9	1.8%
30-40	1,808.3	10.6%	120-130	132.5	0.8%
40-50	2,187.2	12.9%	130-140	55.8	0.3%
50-60	2,393.3	14.1%	140-150	14.7	0.1%
60-70	2,347.2	13.8%	150-160	1.5	0%
70-80	2,066.0	12.1%	160-170	0.8	0%
80-90	1,603.5	9.4%	170-180	0.3	0%