



[www.GetGreenLighting.com](http://www.GetGreenLighting.com)  
 Induction Lighting Provider  
 (614) 556-7118

**G G L - F A - 3 0 1**  
**Large 5<sup>th</sup> Avenue Shoebox Fixture**  
**With Type III Reflector**



**Housing:**

- ✓ Formed two-piece aluminum housing & hinged front frame, continuous welded on all seams.
- ✓ Textured bronze powder coat.

**Lens:**

- ✓ Tempered flat glass lens

**Reflector:**

- ✓ Specular Type III reflector



**Mounting:**

- ✓ Mount with extruded mounting arms

**Wattage:**

- ✓ 80, 100, 120, 150, 200, 5000K

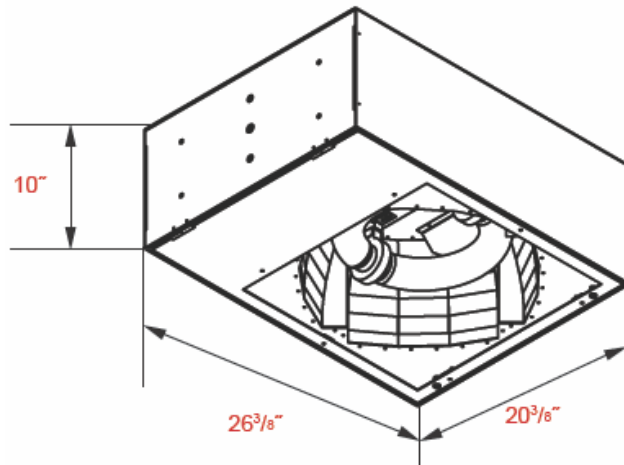
**Listing & Ratings:**

- ✓ CSA Listed for wet locations.

Twist-Lock Photocell & Receptacle Available:

- TL1 instant 120v (Field Installed)
- TL2 Instant 277v (field installed)
- TD1 Time-Delay 120v (Field Installed)
- TD2 Time-Delay 277v (Field Installed)

Custom colors available upon request.





[www.GetGreenLighting.com](http://www.GetGreenLighting.com)  
 Induction Lighting Provider  
 (614) 556-7118

## G G L - F A - 3 0 1

### Large 5<sup>th</sup> Avenue Shoebox Fixture With Type III Reflector

Catalog Number	Wattage	Voltage	Lamp	Ballast
GGL-FA-301-80-1205K*	80	120	Induction	Electronic
GGL-FA-301-80-2405K*	80	240	Induction	Electronic
GGL-FA-301-80-2775K*	80	277	Induction	Electronic
GGL-FA-301-100-1205K*	100	120	Induction	Electronic
GGL-FA-301-100-2405K*	100	240	Induction	Electronic
GGL-FA-301-100-2775K*	100	277	Induction	Electronic
GGL-FA-301-120-1205K*	120	120	Induction	Electronic
GGL-FA-301-120-2405K*	120	240	Induction	Electronic
GGL-FA-301-120-2775K*	120	277	Induction	Electronic
GGL-FA-301-150-1205K*	150	120	Induction	Electronic
GGL-FA-301-150-2405K*	150	240	Induction	Electronic
GGL-FA-301-150-2775K*	150	277	Induction	Electronic
GGL-FA-301-200-1205K*	200	120	Induction	Electronic
GGL-FA-301-200-2405K*	200	240	Induction	Electronic
GGL-FA-301-200-2775K*	200	277	Induction	Electronic

\*Specify Optional Mounting: A6 = 6", A10 = 10", A1 = 14"

Mounting Options	
Catalog Number	Description
EMA6	Extruded aluminum mounting Arm textured bronze finish 6"X2"X6" L. Includes hardware. 5" On-Center drill pattern
EMA10	Extruded aluminum mounting Arm textured bronze finish 6"X2"X10" L. Includes hardware. 5" On-Center drill pattern
EMA14	Extruded Aluminum Mounting Are textured bronze finish 6"X2"X14" L. Includes hardware. 5" On-Center drill pattern
EMARP	Round pole adapter for extruded mounting arms. Aluminum with textured bronze finish.
WM5	Wall Mount Adapter for extruded mounting arms. Aluminum with textured bronze finish



EMA6



EMA10



EMA14



EMARP

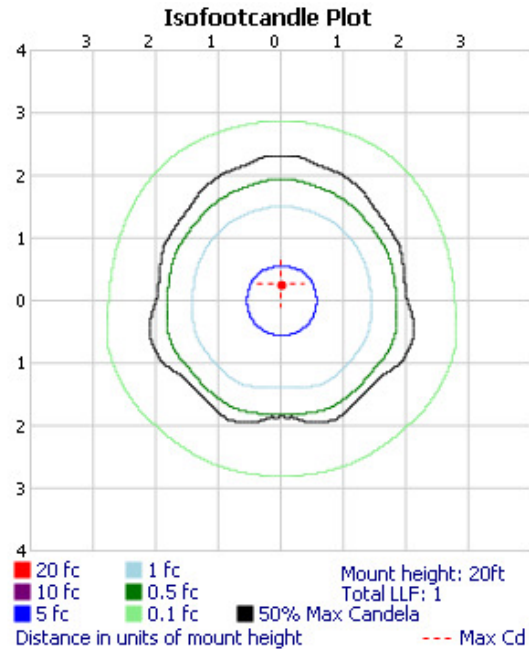
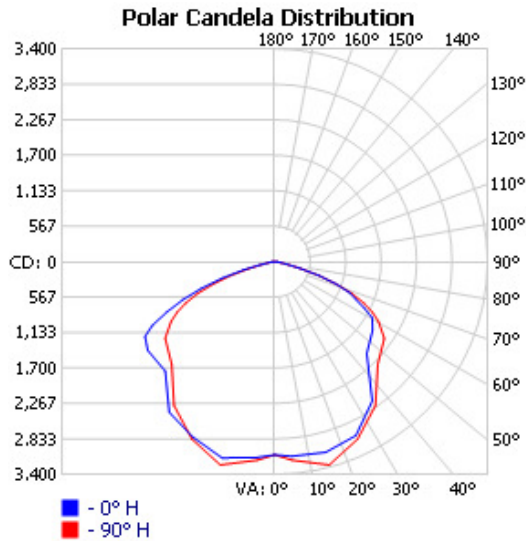


WM5



**G G L - F A - 3 0 1**  
**Large 5<sup>th</sup> Avenue Shoebox Fixture**  
**With Type III Reflector**

**Photometric Data 200w:**



**ZONAL LUMEN SUMMARY**

ZONE	LUMENS	% LAMP	% LUMINAIRE
0-30	2,644.4	14.7%	24.8%
0-40	4,474.1	24.9%	41.9%
0-60	8,424.0	46.8%	78.9%
60-90	2,253.4	12.5%	21.1%
70-100	643.7	3.6%	6%
90-120	0	0%	0%
0-90	10,677.4	59.3%	100%
90-180	0	0%	0%
0-180	10,677.4	59.3%	100%

**LUMENS PER ZONE**

ZONE	LUMENS	% TOTAL	ZONE	LUMENS	% TOTAL
0-10	300.3	2.8%	90-100	0	0%
10-20	920.2	8.6%	100-110	0	0%
20-30	1,423.9	13.3%	110-120	0	0%
30-40	1,829.8	17.1%	120-130	0	0%
40-50	1,969.6	18.4%	130-140	0	0%
50-60	1,980.3	18.5%	140-150	0	0%
60-70	1,609.7	15.1%	150-160	0	0%
70-80	598.6	5.6%	160-170	0	0%
80-90	45.2	0.4%	170-180	0	0%

**ROADWAY SUMMARY**

CUTOFF CLASSIFICATION:	FULL CUTOFF	
DISTRIBUTION:	TYPE III, VERY SHORT	
MAX CD, 90 DEG VERT:	0	
MAX CD, 80 TO <90 DEG:	134.4	
	LUMENS	% LAMP
DOWNWARD STREET SIDE:	5,214.9	29%
DOWNWARD HOUSE SIDE:	5,468.2	30.4%
DOWNWARD TOTAL:	10,683.1	59.4%
UPWARD STREET SIDE:	0	0%
UPWARD HOUSE SIDE:	0	0%
UPWARD TOTAL:	0	0%
TOTAL LUMENS:	10,683.1	59.4%

**LCS TABLE**

BUG RATING	B3 - U0 - G3	
FORWARD LIGHT	LUMENS	LUMENS %
LOW(0-30):	1,304.8	7.2%
MEDIUM(30-60):	2,811.6	15.6%
HIGH(60-80):	1,076.2	6%
VERY HIGH(80-90):	22.2	0.1%
BACK LIGHT		
LOW(0-30):	1,329.3	7.4%
MEDIUM(30-60):	2,981.5	16.6%
HIGH(60-80):	1,134.6	6.3%
VERY HIGH(80-90):	22.9	0.1%
UPLIGHT		
LOW(90-100):	0	0%
HIGH(100-180):	0	0%
TRAPPED LIGHT:	7,316.9	40.6%