



[www.GetGreenLighting.com](http://www.GetGreenLighting.com)  
Induction Lighting Provider  
(614) 556-7118

## GGL-FL-50-WI

12" Square Shoe Box  
With Wide Angle Reflector



### Housing:

- ✓ Die cast aluminum housing & hinged top frames.
- ✓ ½" coin plugs with O-rings for conduit
- ✓ Textured architectural powder coat finish over a chromate conversion coating.

### Lens:

- ✓ Tempered flat glass lens.

### Reflector:

- ✓ Aluminum wide angle reflector.

### Mounting:

- ✓ Mount with two-piece swivel bracket
- ✓ Adjustable slip fitter.
- ✓ Extruded mounting arms.

### Wattage:

- ✓ 80w, 5000K

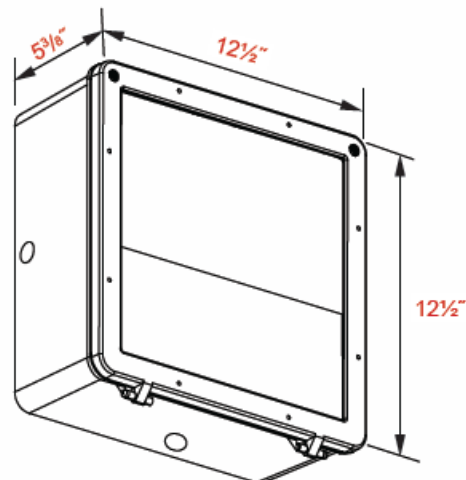
### Listing & Ratings:

- ✓ CSA Listed for wet locations.

Twist-Lock Photocell & Receptacle Available:

- TL1 instant 120v (Field Installed)
- TL2 Instant 277v (field installed)
- TD1 Time-Delay 120v (Field Installed)
- TD2 Time-Delay 277v (Field Installed)

Custom colors available upon request.





www.GetGreenLighting.com  
 Induction Lighting Provider  
 (614) 556-7118

**G G L - F L - 5 0 - W I**  
**12" Square Shoe Box**  
**With Wide Angle Reflector**

Catalog Number	Wattage	Voltage	Lamp	Ballast
GGL-FL-50-WI-1205K#*	80	120	Induction	Electronic
GGL-FL-50-WI-2405K#*	80	240	Induction	Electronic
GGL-FL-50-WI-2775K#*	80	277	Induction	Electronic

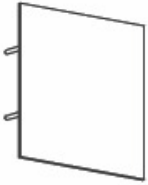
#Specify Mounting: **BR** = Bracket Mount, **SF** = Slip Fitter Mount  
 \*Specify Color: **GP** = Graphite, **BK** = Black, **WH** = White, **GR** = Gray, **BR** = Bronze

Mounting Options	
Catalog Number	Description
FL50GC	Glare shield, aluminum, black powder coat
FL50LG	Clear polycarbonate vandal resistant guard
FL50WG	Wire guard, stainless steel construction
FL73BR	Two Piece swivel bracket, stamped bronze
FL73SFX	External mount slip fitter, die cast with hardware & angle indicator
FLEM6*	6" Aluminum extruded mounting arm, bronze with gasket & hardware
FLEM10*	10" Aluminum extruded mounting arm, bronze with gasket & hardware
FLEM12*	12" Aluminum extruded mounting arm, bronze with gasket & hardware
FLEM18*	18" Aluminum extruded mounting arm, bronze with gasket & hardware
FLSFCP1	Slip Fitter cover, 1" coin plug, allows socket use for angle adjustment after assembly.

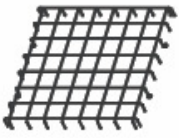
\*Specify mounting: **S** = Square Pole, **R** = Round Pole, **AS** = 15° Angled Arm for Square Poles, **AR** = 15° Angled Arm for Round Poles.



FL50GS



FL50LG



FL50WG



FL73BR



FL73SFX



FLEM6



FLEM18



FLSFCP1



FLEM10



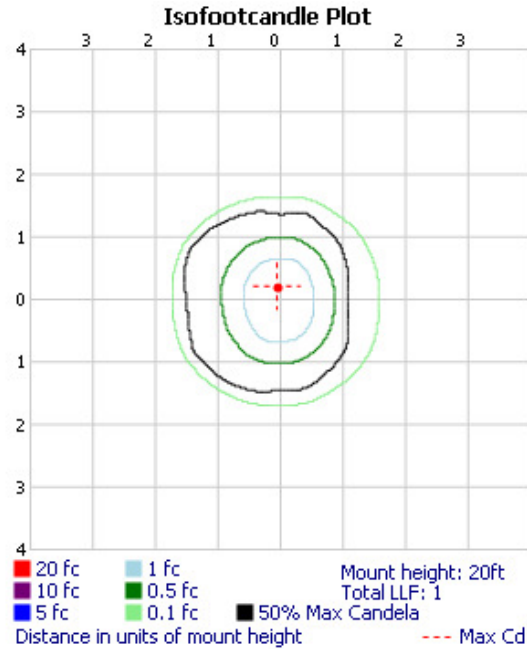
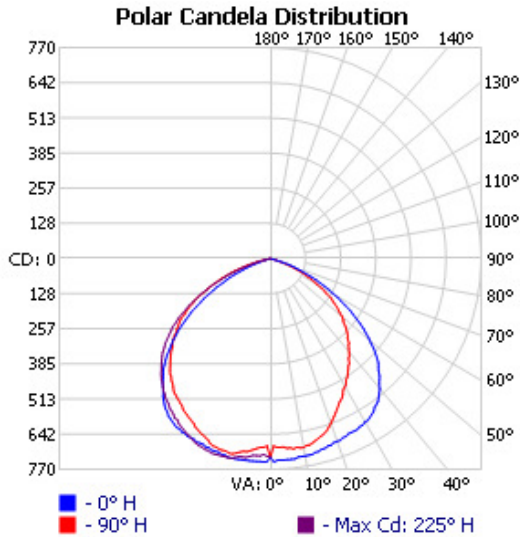
FLEM12



# GGL-FL-50-WI

## 12" Square Shoe Box With Wide Angle Reflector

### Photometric Data 40w:



ZONAL LUMEN SUMMARY			
ZONE	LUMENS	% LAMP	% LUMINAIRE
0-30	597.0	21.3%	30.3%
0-40	989.9	35.4%	50.2%
0-60	1,735.5	62%	88%
60-90	237.5	8.5%	12%
70-100	41.7	1.5%	2.1%
90-120	0	0%	0%
0-90	1,973.0	70.5%	100%
90-180	0	0%	0%
0-180	1,973.0	70.5%	100%

LUMENS PER ZONE					
ZONE	LUMENS	% TOTAL	ZONE	LUMENS	% TOTAL
0-10	69.9	3.5%	90-100	0	0%
10-20	207.3	10.5%	100-110	0	0%
20-30	319.8	16.2%	110-120	0	0%
30-40	393.0	19.9%	120-130	0	0%
40-50	406.0	20.6%	130-140	0	0%
50-60	339.5	17.2%	140-150	0	0%
60-70	195.8	9.9%	150-160	0	0%
70-80	41.7	2.1%	160-170	0	0%
80-90	0.0	0.0%	170-180	0	0%

ROADWAY SUMMARY			
CUTOFF CLASSIFICATION:	FULL CUTOFF		
DISTRIBUTION:	TYPE II, VERY SHORT		
MAX CD, 90 DEG VERT:	0		
MAX CD, 80 TO <90 DEG:	5.3		
	LUMENS	% LAMP	
DOWNWARD STREET SIDE:	984.5	35.2%	
DOWNWARD HOUSE SIDE:	988.7	35.3%	
DOWNWARD TOTAL:	1,973.2	70.5%	
UPWARD STREET SIDE:	0	0%	
UPWARD HOUSE SIDE:	0	0%	
UPWARD TOTAL:	0	0%	
TOTAL LUMENS:	1,973.2	70.5%	

LCS TABLE		
BUG RATING	B1 - U0 - G1	
FORWARD LIGHT	LUMENS	LUMENS %
LOW(0-30):	296.4	10.6%
MEDIUM(30-60):	567.4	20.3%
HIGH(60-80):	120.6	4.3%
VERY HIGH(80-90):	0.0	0%
BACK LIGHT		
LOW(0-30):	300.5	10.7%
MEDIUM(30-60):	571.3	20.4%
HIGH(60-80):	116.9	4.2%
VERY HIGH(80-90):	0	0%
UPLIGHT		
LOW(90-100):	0	0%
HIGH(100-180):	0	0%
TRAPPED LIGHT:	826.8	29.5%