



www.GetGreenLighting.com
Induction Lighting Provider
(614) 556-7118

GGL-FL-6140

Round Back Adjustable Flood Light Fixture

Housing:

- ✓ Die cast housing with hinged top frame, textured architectural bronze powdercoat finish over a chromate conversion coating
- ✓ Housing swivels from 0° to 30° & includes angle indicators at adjustment points
- ✓ Hinged from frame and latch for tool-less entry for relamping

Reflector:

- ✓ Aluminum reflector

Lens:

- ✓ Tempered glass lens

Mounting:

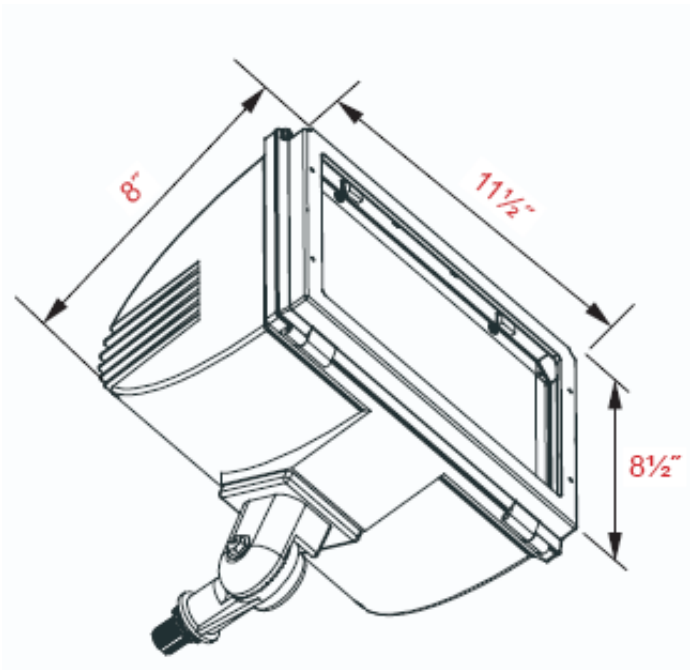
- ✓ Heavy-duty adjustable knuckle with ½" NPT threads or adjustable die cast slipfitter with angle indicators

Wattage:

- ✓ 40W, 5000K

Listing & Ratings:

- ✓ CSA Listed for wet locations.



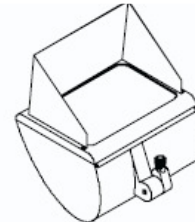


www.GetGreenLighting.com
 Induction Lighting Provider
 (614) 556-7118

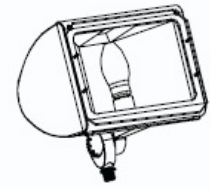
G G L - F L - 6 1 4 0
**Round Back Adjustable
 Flood Light Fixture**

Catalog Number	Wattage	Voltage	Lamp	Ballast
GGL-FL-6140-1205K*	40	120	Induction	Electronic
GGL-FL-6140-2405K**	40	240	Induction	Electronic
GGL-FL-6140-2775K**	40	277	Induction	Electronic

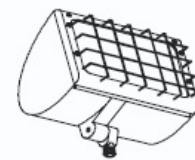
*Specify Color: **BZ**=Bronze, **BK**=Black



FL60GS
(Shown Mounted)



FL60LG
(Shown Mounted)



FL60WG
(Shown Mounted)



FL61ST



FL73SFX



FLPTF



FLSTK

Options	
Catalog Number	Description
FL60S*	Glare Shield, Aluminum with powdercoat finish
FL60LG	Clear Polycarbonate vandal resistant guard
FL60WG	Wire Guard, Stainless Steel
FL61ST	Heavy-Duty adjustable knuckle 1/2" NPT threads for FL61/FL62
FL73FX	External mount slipfitter, die cast, bronze finish with angle indicators, coin plugs & hardware
FLPTF	Post top fitter, die cast Aluminum, bronze finish, (3) 1/2" coin plugs
FLSTK	Heavy-duty ground stake with built in wiring compartment

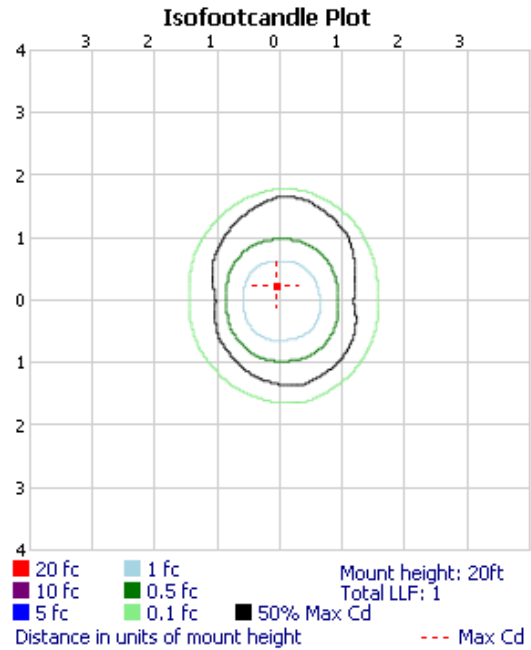
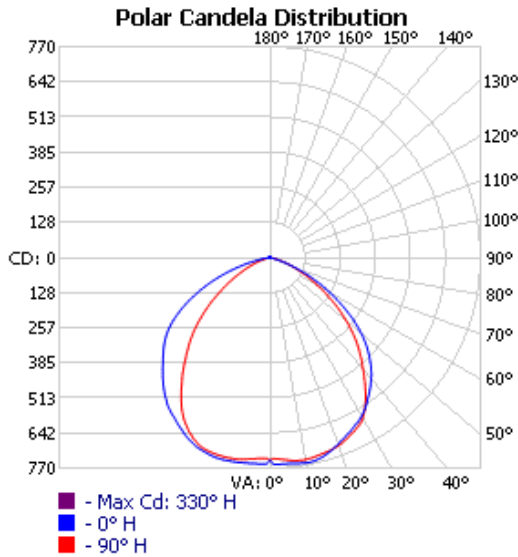
*Specify Color: **BZ**=Bronze, **BK**=Black



G G L - F L - 6 1 4 0

Round Back Adjustable Flood Light Fixture

Photometric Data:



ZONAL LUMEN SUMMARY			
ZONE	LUMENS	% LAMP	% LUMINAIRE
0-30	616.1	22%	32%
0-40	1,016.8	36.3%	52.8%
0-60	1,709.3	61%	88.7%
60-90	208.8	7.5%	10.8%
70-100	51.4	1.8%	2.7%
90-120	4.5	0.2%	0.2%
0-90	1,918.0	68.5%	99.5%
90-180	9.2	0.3%	0.5%
0-180	1,927.2	68.8%	100%

LUMENS PER ZONE					
ZONE	LUMENS	% TOTAL	ZONE	LUMENS	% TOTAL
0-10	71.2	3.7%	90-100	1.6	0.1%
10-20	212.2	11.0%	100-110	1.5	0.1%
20-30	332.8	17.3%	110-120	1.4	0.1%
30-40	400.7	20.8%	120-130	1.3	0.1%
40-50	391.4	20.3%	130-140	1.1	0.1%
50-60	301.0	15.6%	140-150	0.9	0%
60-70	159.0	8.2%	150-160	0.7	0%
70-80	44.5	2.3%	160-170	0.4	0%
80-90	5.3	0.3%	170-180	0.1	0%

ROADWAY SUMMARY			
CUTOFF CLASSIFICATION:	CUTOFF		
DISTRIBUTION:	TYPE II, VERY SHORT		
MAX CD, 90 DEG VERT:	4.1		
MAX CD, 80 TO <90 DEG:	34.1		
	LUMENS	% LAMP	
DOWNWARD STREET SIDE:	914.6	32.7%	
DOWNWARD HOUSE SIDE:	1,003.7	35.8%	
DOWNWARD TOTAL:	1,918.3	68.5%	
UPWARD STREET SIDE:	4.5	0.2%	
UPWARD HOUSE SIDE:	4.7	0.2%	
UPWARD TOTAL:	9.2	0.3%	
TOTAL LUMENS:	1,927.4	68.8%	

LCS TABLE		
BUG RATING	B1 - U1 - G1	
FORWARD LIGHT	LUMENS	%
LOW(0-30):	307.8	11%
MEDIUM(30-60):	526.2	18.8%
HIGH(60-80):	79.1	2.8%
VERY HIGH(80-90):	1.5	0.1%
BACK LIGHT		
LOW(0-30):	308.3	11%
MEDIUM(30-60):	567.2	20.3%
HIGH(60-80):	124.4	4.4%
VERY HIGH(80-90):	3.8	0.1%
UPLIGHT		
LOW(90-100):	1.6	0.1%
HIGH(100-180):	7.6	0.3%
TRAPPED LIGHT:	872.6	31.2%