



[www.GetGreenLighting.com](http://www.GetGreenLighting.com)  
Induction Lighting Provider  
(614) 556-7118



### Housing:

- ✓ Die cast aluminum housing & hinged front frame, safety cable restraint.
- ✓ 1/2" coin plugs with O-rings for conduit & photocell.
- ✓ Textured architectural powdercoat finish over a chromate conversion coating.

### Lens:

- ✓ Tempered flat glass lens

### Reflector:

- ✓ Aluminum IES Type V reflector

### Mounting:

- ✓ Mount with two piece swivel bracket, adjustable slipfitter, 6" extruded mounting arm, yoke or direct pole mount arm.

### Wattage:

- ✓ 80 or 100w 5000K

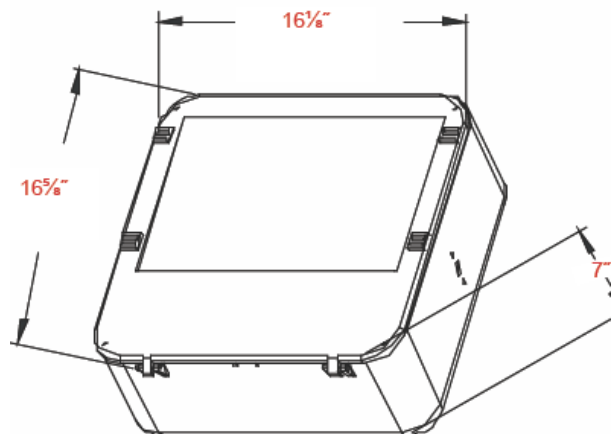
### Listing & Ratings:

- ✓ CSA Listed for wet locations.

Custom colors available upon request.

## **G G L - F L - 7 0 - 5 1**

### **16" Square Induction Shoebox Fixture With Type V Reflector**



[www.GetGreenLighting.com](http://www.GetGreenLighting.com) (614) 556-7118



[www.GetGreenLighting.com](http://www.GetGreenLighting.com)  
 Induction Lighting Provider  
 (614) 556-7118

## G G L - F L - 7 0 - 5 1

### 16" Square Induction Shoebox Fixture With Type V Reflector

Catalog Number	Wattage	Voltage	Lamp	Ballast
GGL-FL-70-51-80-1205K#*	80	120	Induction	Electronic
GGL-FL-70-51-80-2405K#*	80	240	Induction	Electronic
GGL-FL-70-51-80-2775K#*	80	277	Induction	Electronic
GGL-FL-70-51-100-1205K#*	100	120	Induction	Electronic
GGL-FL-70-51-100-2405K#*	100	240	Induction	Electronic
GGL-FL-70-51-100-2775K#*	100	277	Induction	Electronic

#Specify Mounting: **BR**=Bracket Mount or **SF**=Slipfitter Mount

\*Specify Color: **GP**=Graphite, **BK**=Black, **WH**=White, **GR**=Gray **BZ**=Bronze

Mounting Options	
Catalog Number	Description
FL70GS	Glare shield, aluminum with black powdercoat finish
FL73LG	Clear polycarbonate vandal resistant guard
FL73WG	Wire guard, stainless steel construction
FL73BR	Two piece swivel bracket, stamped, bronze finish
FL73SFX	External mount die cast slipfitter, hardware & angle indicator
FLAM	Heavy duty adjustable direct mount pole arm, bronze finish with angle indicators & hardware
FLEM6*	6" Aluminum extruded mounted arm bronze
FLEM10*	10" Aluminum extruded mounted arm bronze
FLEM12*	12" Aluminum extruded mounted arm bronze
FLEM18*	18" Aluminum extruded mounted arm bronze
FL60LY	Yoke stamped heavy duty steel textured bronze finish
FLSFCP1	Slipfitter cover, 1" coin plug

\*Specify Mounting: **S**=Square Pole, **R**=Round Pole, **AS**=15° Angled Arm for Square Poles, **AR**=15° Angled Arm for Round Poles



**FL70GS**  
(Shown Mounted)



**FL73LG**



**FL73WG**  
(Shown Mounted)



**FL73BR**



**FLEM10**



**FLEM12**



**FL73SFX**



**FL70LY**



**FLEM18**



**FLSFCP1**



**FLAM**



**FLEM6**