



www.GetGreenLighting.com
Induction Lighting Provider
(614) 556-7118



G G L - F L - 7 0 - S 1

16" Square Induction Flood Light Fixture

Housing:

- ✓ Die cast aluminum housing & hinged top frame.
- ✓ 1/2" coin plugs with O-rings for conduit & photocell.
- ✓ Textured architectural powdercoat finish over a chromate conversion coating.

Lens:

- ✓ Tempered flat glass lens

Reflector:

- ✓ Aluminum smooth reflector

Mounting:

- ✓ Mount with toe piece swivel bracket, adjustable slipfitter, extruded mounting arm, yoke or direct pole mount.

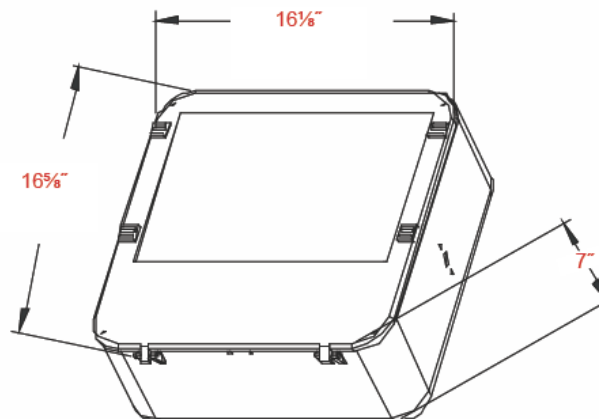
Wattage:

- ✓ 80 or 100w 5000K

Listing & Ratings:

- ✓ CSA Listed for wet locations.

Custom colors available upon request.





www.GetGreenLighting.com
 Induction Lighting Provider
 (614) 556-7118

G G L - F L - 7 0 - S 1

16" Square Induction Flood Light Fixture

Catalog Number	Wattage	Voltage	Lamp	Ballast
GGL-FL-70-S1-80-1205K#*	80	120	Induction	Electronic
GGL-FL-70-S1-80-2405K#*	80	240	Induction	Electronic
GGL-FL-70-S1-80-2775K#*	80	277	Induction	Electronic
GGL-FL-70-S1-100-1205K#*	100	120	Induction	Electronic
GGL-FL-70-S1-100-2405K#*	100	240	Induction	Electronic
GGL-FL-70-S1-100-2775K#*	100	277	Induction	Electronic

#Specify Mounting: **BR**=Bracket Mount or **SF**=Slipfitter Mount

*Specify Color: **GP**=Graphite, **BK**=Black, **WH**=White, **GR**=Gray **BZ**=Bronze

Mounting Options	
Catalog Number	Description
FL70GS	Glare shield, aluminum with black powdercoat finish
FL73LG	Clear polycarbonate vandal resistant guard
FL73WG	Wire guard, stainless steel construction
FL73BR	Two piece swivel bracket, stamped, bronze finish
FL73SFX	External mount die cast slipfitter, hardware & angle indicator
FLAM	Heavy duty adjustable direct mount pole arm, bronze finish with angle indicators & hardware
FLEM6*	6" Aluminum extruded mounted arm bronze
FLEM10*	10" Aluminum extruded mounted arm bronze
FLEM12*	12" Aluminum extruded mounted arm bronze
FLEM18*	18" Aluminum extruded mounted arm bronze
FL60LY	Yoke stamped heavy duty steel textured bronze finish
FLSFCP1	Slipfitter cover, 1" coin plug

*Specify Mounting: **S**=Square Pole, **R**=Round Pole, **AS**=15° Angled Arm for Square Poles, **AR**=15° Angled Arm for Round Poles



FL70GS
(Shown Mounted)



FL73LG



FL73WG
(Shown Mounted)



FL73BR



FLEM10



FLEM12



FL73SFX



FL70LY



FLEM18



FLSFCP1



FLAM



FLEM6

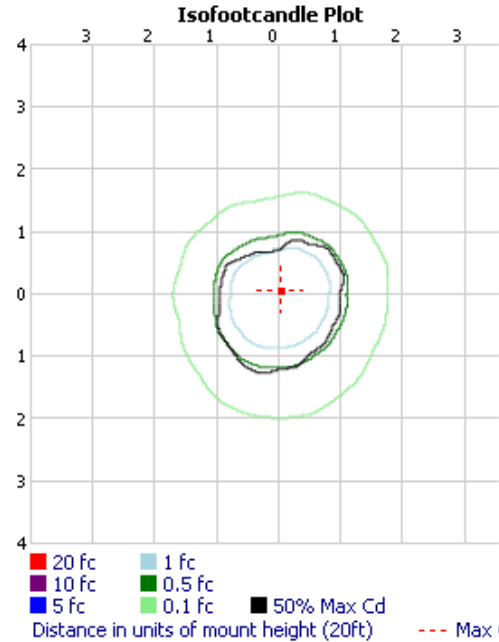
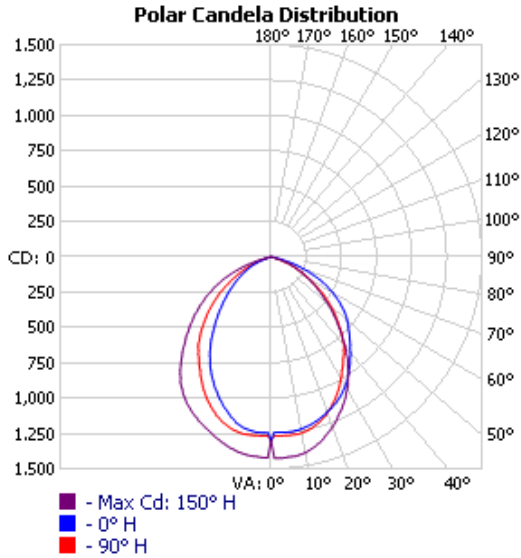


www.GetGreenLighting.com
 Induction Lighting Provider
 (614) 556-7118

G G L - F L - 7 0 - S 1

16" Square Induction Flood Light Fixture

Photometric Data 80w:



ZONAL LUMEN SUMMARY			
ZONE	LUMENS	% LAMP	% LUMINAIRE
0-30	995.4	15.6%	35%
0-40	1,584.0	24.7%	55.8%
0-60	2,551.6	39.9%	89.8%
60-90	289.1	4.5%	10.2%
70-100	53.1	0.8%	1.9%
90-120	0	0%	0%
0-90	2,840.7	44.4%	100%
90-180	0	0%	0%
0-180	2,840.7	44.4%	100%

LUMENS PER ZONE					
ZONE	LUMENS	% TOTAL	ZONE	LUMENS	% TOTAL
0-10	123.7	4.4%	90-100	0	0%
10-20	352.3	12.4%	100-110	0	0%
20-30	519.4	18.3%	110-120	0	0%
30-40	588.6	20.7%	120-130	0	0%
40-50	549.1	19.3%	130-140	0	0%
50-60	418.5	14.7%	140-150	0	0%
60-70	236.0	8.3%	150-160	0	0%
70-80	52.9	1.9%	160-170	0	0%
80-90	0.2	0.0%	170-180	0	0%

ROADWAY SUMMARY			
CUTOFF CLASSIFICATION:	FULL CUTOFF		
DISTRIBUTION:	TYPE II, VERY SHORT		
MAX CD, 90 DEG VERT:	0		
MAX CD, 80 TO <90 DEG:	41.6		
	LUMENS	% LAMP	
DOWNWARD STREET SIDE:	1,531.9	23.9%	
DOWNWARD HOUSE SIDE:	1,309.1	20.5%	
DOWNWARD TOTAL:	2,841.1	44.4%	
UPWARD STREET SIDE:	0	0%	
UPWARD HOUSE SIDE:	0	0%	
UPWARD TOTAL:	0	0%	
TOTAL LUMENS:	2,841.1	44.4%	

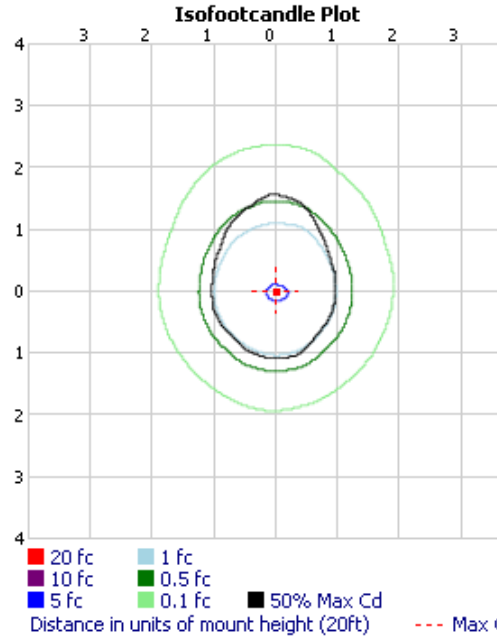
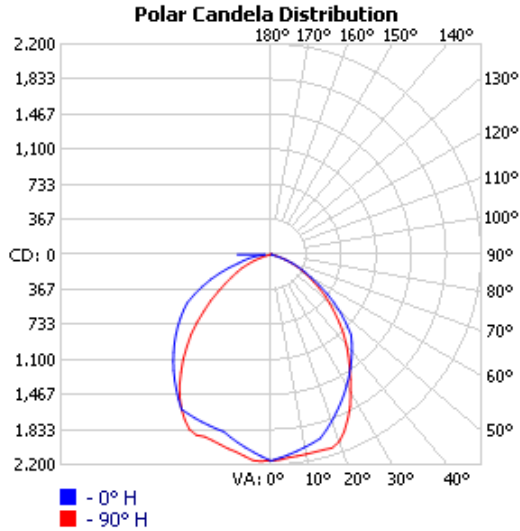
LCS TABLE		
BUG RATING	B1 - U0 - G1	
FORWARD LIGHT	LUMENS	%
LOW(0-30):	507.4	7.9%
MEDIUM(30-60):	845.7	13.2%
HIGH(60-80):	178.5	2.8%
VERY HIGH(80-90):	0.2	0%
BACK LIGHT		
LOW(0-30):	488.0	7.6%
MEDIUM(30-60):	710.8	11.1%
HIGH(60-80):	110.3	1.7%
VERY HIGH(80-90):	0	0%
UPLIGHT		
LOW(90-100):	0	0%
HIGH(100-180):	0	0%
TRAPPED LIGHT:	3,558.9	55.6%



G G L - F L - 7 0 - S 1

16" Square Induction Flood Light Fixture

Photometric Data 100w:



ZONAL LUMEN SUMMARY			
ZONE	LUMENS	% LAMP	% LUMINAIRE
0-30	1,622.2	20.3%	34%
0-40	2,605.7	32.6%	54.6%
0-60	4,206.4	52.6%	88.1%
60-90	565.9	7.1%	11.9%
0-90	4,772.3	59.7%	100%

LUMENS PER ZONE		
ZONE	LUMENS	% TOTAL
0-10	199.6	4.2%
10-20	564.9	11.8%
20-30	857.7	18.0%
30-40	983.5	20.6%
40-50	913.3	19.1%
50-60	687.4	14.4%
60-70	397.6	8.3%
70-80	132.9	2.8%
80-90	35.3	0.7%

ROADWAY SUMMARY			
CUTOFF CLASSIFICATION:	SEMICUTOFF		
DISTRIBUTION:	TYPE II, VERY SHORT		
MAX CD, 90 DEG VERT:	352.9		
MAX CD, 80 TO <90 DEG:	236.5		
	LUMENS	% LAMP	
DOWNWARD STREET SIDE:	2,164.6	27.1%	
DOWNWARD HOUSE SIDE:	2,608.0	32.6%	
DOWNWARD TOTAL:	4,772.6	59.7%	
TOTAL LUMENS:	4,772.6	59.7%	

LCS TABLE		
BUG RATING	B2 - UX - G1	
FORWARD LIGHT	LUMENS	%
LOW(0-30):	805.4	10.1%
MEDIUM(30-60):	1,185.6	14.8%
HIGH(60-80):	171.2	2.1%
VERY HIGH(80-90):	2.4	0%
BACK LIGHT		
LOW(0-30):	817.1	10.2%
MEDIUM(30-60):	1,399.1	17.5%
HIGH(60-80):	359.3	4.5%
VERY HIGH(80-90):	32.6	0.4%
TRAPPED LIGHT:	3,227.4	40.3%