



www.GetGreenLighting.com
Induction Lighting Provider
(614) 556-7118

GGL-FL-90-51

23" Square Induction Shoebox Fixture With Type V Reflector



Housing:

- ✓ Die cast aluminum housing & hinged front frame, safety cable restraint.
- ✓ 1/2" coin plugs with O-rings for conduit & photocell.
- ✓ Textured architectural powdercoat finish over a chromate conversion coating.

Lens:

- ✓ Tempered flat glass lens

Reflector:

- ✓ Aluminum IES Type V reflector

Mounting:

- ✓ Mount with two piece swivel bracket, adjustable slipfitter, 6" extruded mounting arm, yoke or direct pole mount arm.

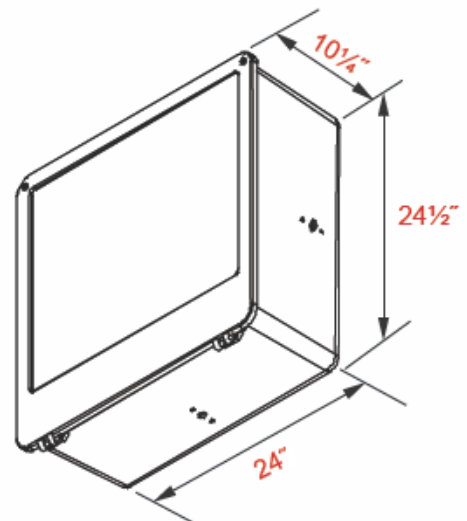
Wattage:

- ✓ 80, 100, 120, 150 or 300w 5000K

Listing & Ratings:

- ✓ CSA Listed for wet locations.

Custom colors available upon request.





www.GetGreenLighting.com
 Induction Lighting Provider
 (614) 556-7118

G G L - F L - 9 0 - 5 1

23" Square Induction Shoebox Fixture With Type V Reflector

Catalog Number	Wattage	Voltage	Lamp	Ballast
GGL-FL-90-51-120-1205K#*	120	120	Induction	Electronic
GGL-FL-90-51-120-2405K#*	120	240	Induction	Electronic
GGL-FL-90-51-120-2775K#*	120	277	Induction	Electronic
GGL-FL-90-51-150-1205K#*	150	120	Induction	Electronic
GGL-FL-90-51-150-2405K#*	150	240	Induction	Electronic
GGL-FL-90-51-150-2775K#*	150	277	Induction	Electronic
GGL-FL-90-51-200-1205K#*	200	120	Induction	Electronic
GGL-FL-90-51-200-2405K#*	200	240	Induction	Electronic
GGL-FL-90-51-200-2775K#*	200	277	Induction	Electronic
GGL-FL-90-51-300-1205K#*	300	120	Induction	Electronic
GGL-FL-90-51-300-2405K#*	300	240	Induction	Electronic
GGL-FL-90-51-300-2775K#*	300	277	Induction	Electronic

#Specify Mounting: **BR**=Bracket Mount or **SF**=Slipfitter Mount
 *Specify Color: **GP**=Graphite, **BK**=Black, **WH**=White, **GR**=Gray **BZ**=Bronze

Mounting Options	
Catalog Number	Description
FL90GS	Glare shield, aluminum with black powdercoat finish
FL90LG	Clear polycarbonate vandal resistant guard
FL90WG	Wire guard, stainless steel construction
FL90BR	Two piece swivel bracket, stamped, bronze finish
FL90SFX	External mount die cast slipfitter, hardware & angle indicator, bronze coin plug
FLAM	Heavy duty adjustable direct mount pole arm, bronze finish with angle indicators & hardware
FLEM6*	6" Aluminum extruded mounted arm bronze
FL90Y	Yoke stamped heavy duty steel textured bronze finish
CPSC	Safety cable 3" steel cable with clear vinyl coating
FLSFCP1	Slipfitter cover, 1" coin plug

*Specify Mounting: **S**=Square Pole, **R**=Round Pole, **AS**=15° Angled Arm for Square Poles, **AR**=15° Angled Arm for Round Poles



FL90GS
(Shown Mounted)



FL90LG



FL90WG
(Shown Mounted)



FL90BR



FLEM6



FL90Y



CPSC



FLSFCP1



FL90SFX
(Shown Mounted)



FLAM

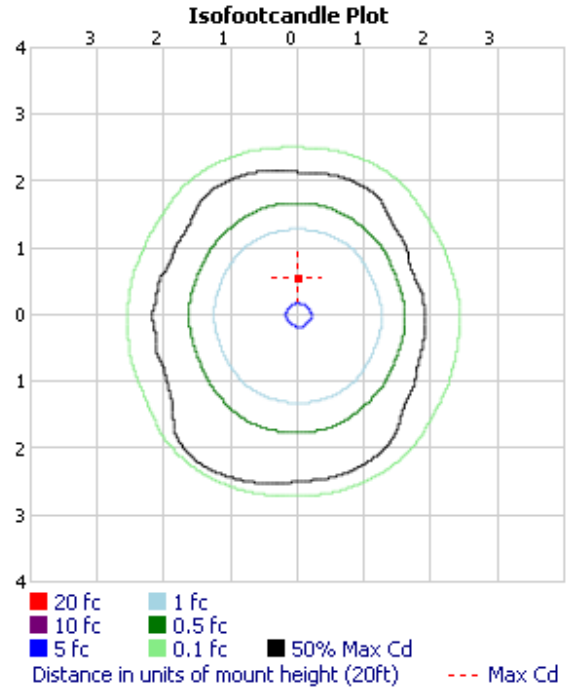
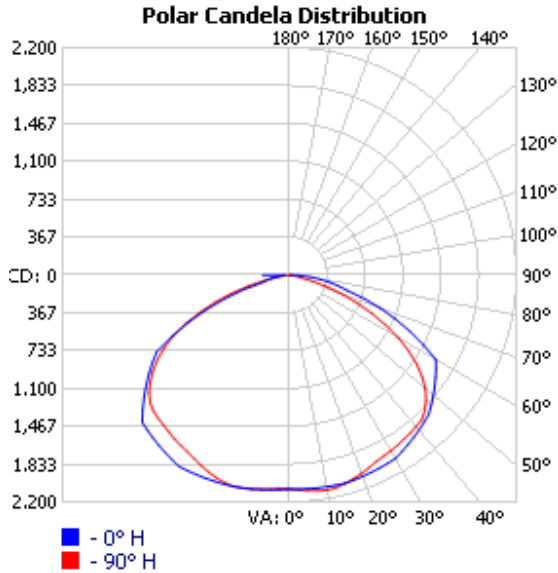


www.GetGreenLighting.com
 Induction Lighting Provider
 (614) 556-7118

G G L - F L - 9 0 - 5 1

23" Square Induction Shoebox Fixture With Type V Reflector

Photometric Data 120w:



ZONAL LUMEN SUMMARY			
ZONE	LUMENS	% LAMP	% LUMINAIRE
0-30	1,738.8	18.1%	23.2%
0-40	2,986.0	31.1%	39.9%
0-60	5,862.3	61.1%	78.3%
60-90	1,627.3	17%	21.7%
0-90	7,489.6	78%	100%

LUMENS PER ZONE		
ZONE	LUMENS	% TOTAL
0-10	199.6	2.7%
10-20	592.0	7.9%
20-30	947.2	12.6%
30-40	1,247.1	16.7%
40-50	1,444.8	19.3%
50-60	1,431.6	19.1%
60-70	1,084.2	14.5%
70-80	447.8	6.0%
80-90	95.3	1.3%

ROADWAY SUMMARY			
CUTOFF CLASSIFICATION:	SEMICUTOFF		
DISTRIBUTION:	TYPE VS		
MAX CD, 90 DEG VERT:	273.3		
MAX CD, 80 TO <90 DEG:	401.7		
	LUMENS	% LAMP	
DOWNWARD STREET SIDE:	3,811.3	39.7%	
DOWNWARD HOUSE SIDE:	3,678.3	38.3%	
DOWNWARD TOTAL:	7,489.6	78%	
TOTAL LUMENS:	7,489.6	78%	

LCS TABLE		
BUG RATING	B2 - UX - G1	
FORWARD LIGHT	LUMENS	LUMENS %
LOW(0-30):	862.9	9%
MEDIUM(30-60):	2,050.6	21.4%
HIGH(60-80):	838.5	8.7%
VERY HIGH(80-90):	59.3	0.6%
BACK LIGHT		
LOW(0-30):	876.0	9.1%
MEDIUM(30-60):	2,073.1	21.6%
HIGH(60-80):	693.6	7.2%
VERY HIGH(80-90):	35.7	0.4%
TRAPPED LIGHT:	2,110.4	22%

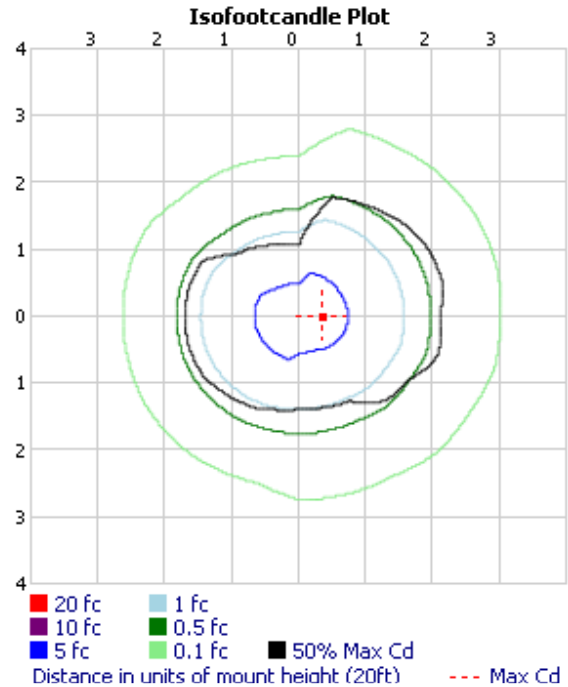
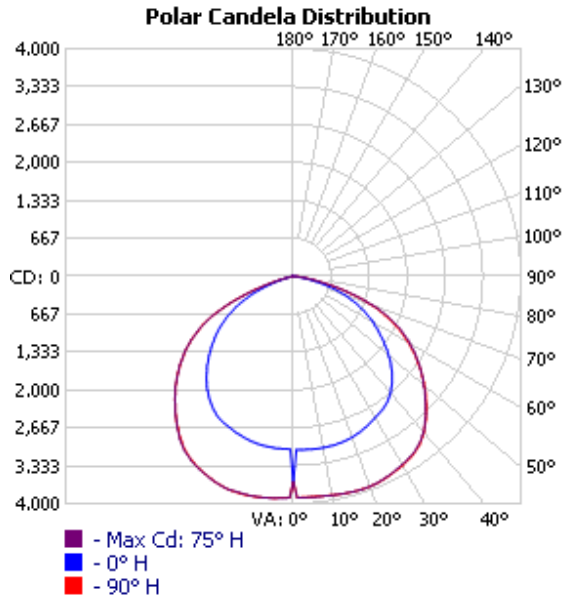


www.GetGreenLighting.com
 Induction Lighting Provider
 (614) 556-7118

G G L - F L - 9 0 - 5 1

23" Square Induction Shoebox Fixture With Type V Reflector

Photometric Data 200w:



ZONAL LUMEN SUMMARY			
ZONE	LUMENS	% LAMP	% LUMINAIRE
0-30	2,998.6	16.7%	26.5%
0-40	5,040.6	28%	44.6%
0-60	9,199.6	51.1%	81.4%
60-90	2,103.3	11.7%	18.6%
0-90	11,302.9	62.8%	100%

LUMENS PER ZONE		
ZONE	LUMENS	% TOTAL
0-10	347.3	3.1%
10-20	1,025.9	9.1%
20-30	1,625.3	14.4%
30-40	2,042.0	18.1%
40-50	2,168.6	19.2%
50-60	1,990.4	17.6%
60-70	1,457.1	12.9%
70-80	571.2	5.1%
80-90	75.0	0.7%

ROADWAY SUMMARY			
CUTOFF CLASSIFICATION:	CUTOFF		
DISTRIBUTION:	TYPE II, VERY SHORT		
MAX CD, 90 DEG VERT:	15.8		
MAX CD, 80 TO <90 DEG:	415.9		
	LUMENS	% LAMP	
DOWNWARD STREET SIDE:	5,621.6	31.2%	
DOWNWARD HOUSE SIDE:	5,682.4	31.6%	
DOWNWARD TOTAL:	11,304.0	62.8%	
TOTAL LUMENS:	11,304.0	62.8%	

LCS TABLE		
BUG RATING	B3 - UX - G3	
FORWARD LIGHT	LUMENS	LUMENS %
LOW(0-30):	1,497.1	8.3%
MEDIUM(30-60):	3,082.1	17.1%
HIGH(60-80):	1,006.4	5.6%
VERY HIGH(80-90):	36.0	0.2%
BACK LIGHT		
LOW(0-30):	1,501.5	8.3%
MEDIUM(30-60):	3,120.1	17.3%
HIGH(60-80):	1,021.9	5.7%
VERY HIGH(80-90):	39.0	0.2%
TRAPPED LIGHT:	6,696.0	37.2%