



www.GetGreenLighting.com
Induction Lighting Provider
(614) 556-7118

G G L - H B - 4 2 - I

Custom High Bay Fixture



Housing:

- ✓ Die cast aluminum housing with external heat sinks for cooler operating temperatures for the Induction driver
- ✓ White powder coat finish over a chromate conversion coating

Lens:

- ✓ 22" prismatic acrylic refractor
- ✓ 22" aluminum reflector
- ✓ 22" Faceted aluminum reflector
- ✓ 26" high performance aluminum reflector.

** (Sold separately; required)

Mounting:

- ✓ Mount on 3/4" malleable hook

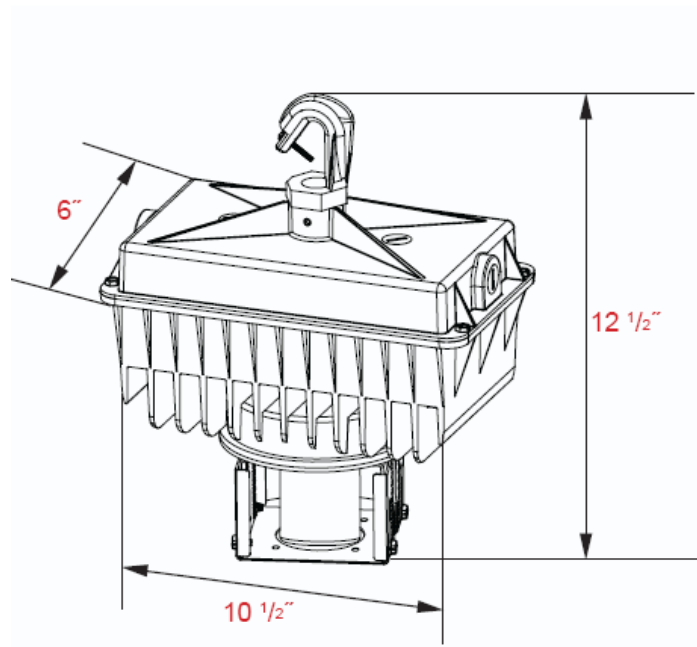
Wattage:

- ✓ 80,100, 120, 150, 200 or 300w, 5000K

Listing & Ratings:

- ✓ CSA Listed for dry locations.

Custom colors available upon request.





www.GetGreenLighting.com
 Induction Lighting Provider
 (614) 556-7118

G G L - H B - 4 2 - I

Custom High Bay Fixture

Catalog Number	Wattage	Voltage	Lamp	Ballast
GGL-HB-42-I-80-1205K*	80	120	Induction	Electronic
GGL-HB-42-I-80-2405K*	80	240	Induction	Electronic
GGL-HB-42-I-80-2775K*	80	277	Induction	Electronic
GGL-HB-42-I-100-1205K*	100	120	Induction	Electronic
GGL-HB-42-I-100-2405K*	100	240	Induction	Electronic
GGL-HB-42-I-100-2775K*	100	277	Induction	Electronic
GGL-HB-42-I-120-1205K*	120	120	Induction	Electronic
GGL-HB-42-I-120-2405K*	120	240	Induction	Electronic
GGL-HB-42-I-120-2775K*	120	277	Induction	Electronic
GGL-HB-42-I-150-1205K*	150	120	Induction	Electronic
GGL-HB-42-I-150-2405K*	150	240	Induction	Electronic
GGL-HB-42-I-150-2775K*	150	277	Induction	Electronic
GGL-HB-42-I-200-1205K*	200	120	Induction	Electronic
GGL-HB-42-I-200-2405K*	200	240	Induction	Electronic
GGL-HB-42-I-200-2775K*	200	277	Induction	Electronic
GGL-HB-42-I-300-1205K*	300	120	Induction	Electronic
GGL-HB-42-I-300-2405K*	300	240	Induction	Electronic
GGL-HB-42-I-300-2775K*	300	277	Induction	Electronic

#Specify Optics: **C22**=Acrylic Refractor, **R22**=Spun Aluminum Reflector, **F22**=Faceted Aluminum Reflector

Options	
Catalog Number	Description
HB11AR22	22" Reflector. For white reflector add "W"
HBARF22	22' Faceted Reflector
HBARF22GL	22" Hinged Glass lens for the AR22 reflector only
SP50AR2	26" High performance aluminum reflector
HBGL22	22" Flat Glass
HBCBEZ22	22" E-Z Fit Clamp Band
HB11CO22	Collar for 22" Acrylic Refractors, White
CPSPR	Swivel Pendant Mount- Round . For angled or straight ceilings, fits 3/4" conduit, includes reducing bushing to 1/2" & set screw
CPSPS	Swivel Pendant Mount- Square . For angled or straight ceilings, fits 3/4" conduit, includes reducing bushing to 1/2" & set screw
CPMH1	Malleable Hook with 3/4" NPT Threads
CPCS1633	3' 16/3 600V STW cord, one end stripped out
HBAB1	Accessory bracket for HB11WG & HB11
CPDR318*	3/4" Down rod 18"
CPDR336*	3/4" Down rod 36"

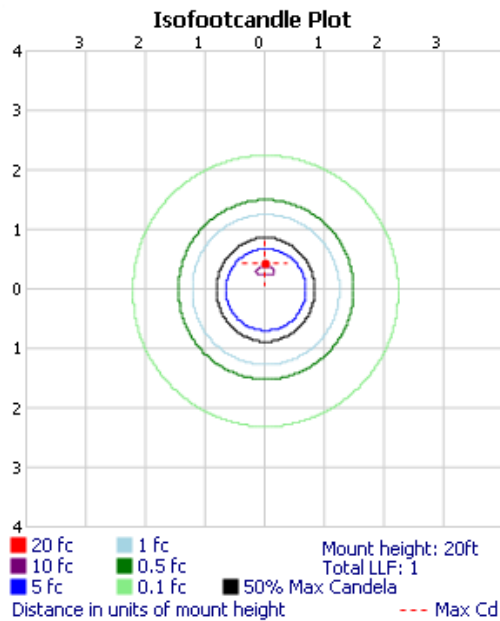
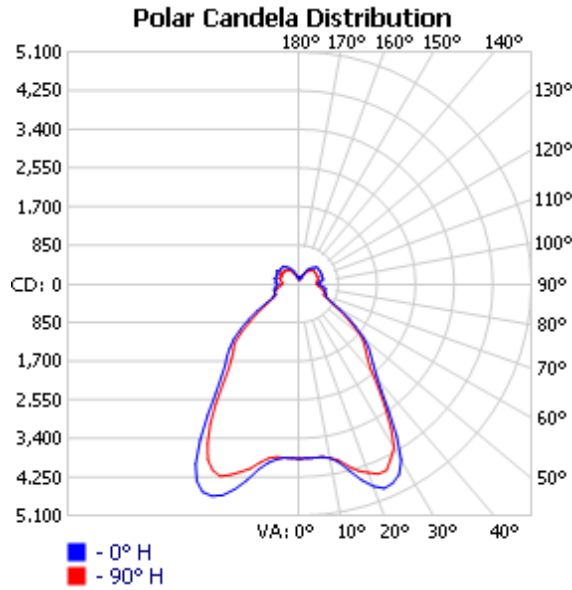
Specify Color: **GR**=Gray, **WH**=White



G G L - H B - 4 2 - I

Custom High Bay Fixture

Photometric Data 200w Acrylic Refractor:



HB11AR2



HBARF22 &
HBARF22GL



HBGL22



SP50AR2



HBCB22



HBCBE22



HB11CO



CPSPS



CPSPR



CPMH1



CPCS1633



HBAB1



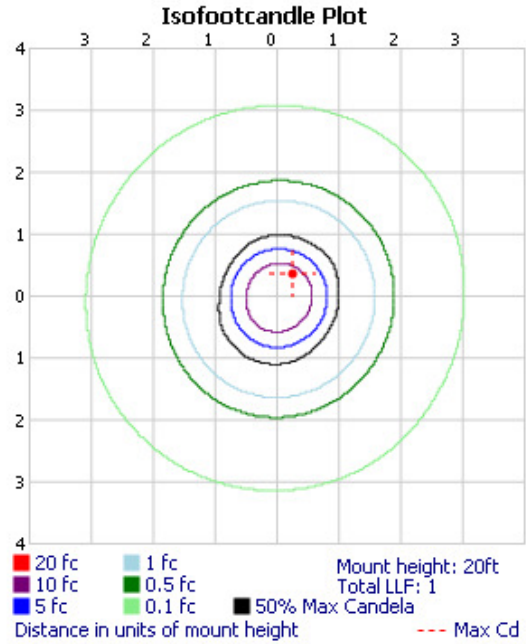
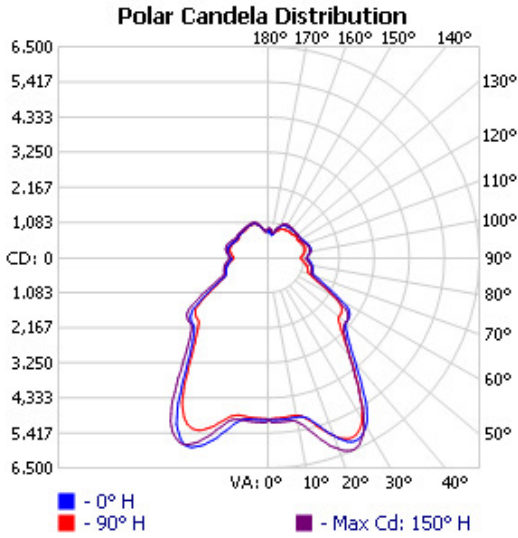
CPDR



G G L - H B - 4 2 - I

Custom High Bay Fixture

Photometric Data 300w Acrylic Refractor:



Photometric Data 300 Spun Aluminum Reflector:

