



www.GetGreenLighting.com
Induction Lighting Provider
(614) 556-7118

GGL-KHU-301 Induction Kitty Hawk Shoebox Fixture



Housing:

- ✓ Formed two piece aluminum housing, continuous welded on all seams
- ✓ Textured bronze powder coat

Lens:

- ✓ Tempered flat glass lens

Reflector:

- ✓ Specular Type II reflector

Mounting:

- ✓ Mount directly to square poles with included formed aluminum mounting arm.
- ✓ Optional round pole and wall mount adapters available

Wattage:

- ✓ 80, 100, 120, 150 or 200w 5000K

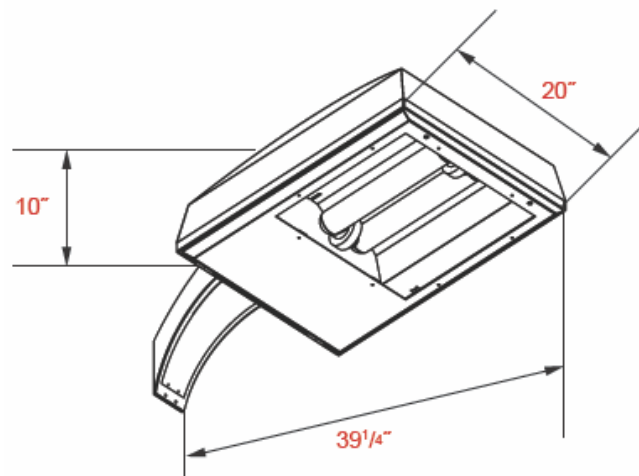
Listing & Ratings:

- ✓ CSA Listed for wet locations.

Twist-Lock Photocell & Receptacle Available:

- TL1 instant 120v (Field Installed)
- TL2 Instant 277v (field installed)
- TD1 Time-Delay 120v (Field Installed)
- TD2 Time-Delay 277v (Field Installed)

Custom colors available upon request.





www.GetGreenLighting.com
 Induction Lighting Provider
 (614) 556-7118

G G L - K H U - 3 0 1

Induction Kitty Hawk Shoebox Fixture

Catalog Number	Wattage	Voltage	Lamp	Ballast
GGL-KHU-301-80-1205K	80	120	Induction	Electronic
GGL-KHU-301-80-2405K	80	240	Induction	Electronic
GGL-KHU-301-80-2775K	80	277	Induction	Electronic
GGL-KHU-301-100-1205K	100	120	Induction	Electronic
GGL-KHU-301-100-2405K	100	240	Induction	Electronic
GGL-KHU-301-100-2775K	100	277	Induction	Electronic
GGL-KHU-301-120-1205K	120	120	Induction	Electronic
GGL-KHU-301-120-2405K	120	240	Induction	Electronic
GGL-KHU-301-120-2775K	120	277	Induction	Electronic
GGL-KHU-301-150-1205K	150	120	Induction	Electronic
GGL-KHU-301-150-2405K	150	240	Induction	Electronic
GGL-KHU-301-150-2775K	150	277	Induction	Electronic
GGL-KHU-301-200-1205K	200	120	Induction	Electronic
GGL-KHU-301-200-2405K	200	240	Induction	Electronic
GGL-KHU-301-200-2775K	200	277	Induction	Electronic

Mounting Options	
Catalog Number	Description
KHURP	Round pole adapter for KHU20 & KHU30. Aluminum with textured bronze finish
KHUWM	Wall mount adapter for KHU20 & KHU30. Aluminum with textured bronze finish.



KHURP



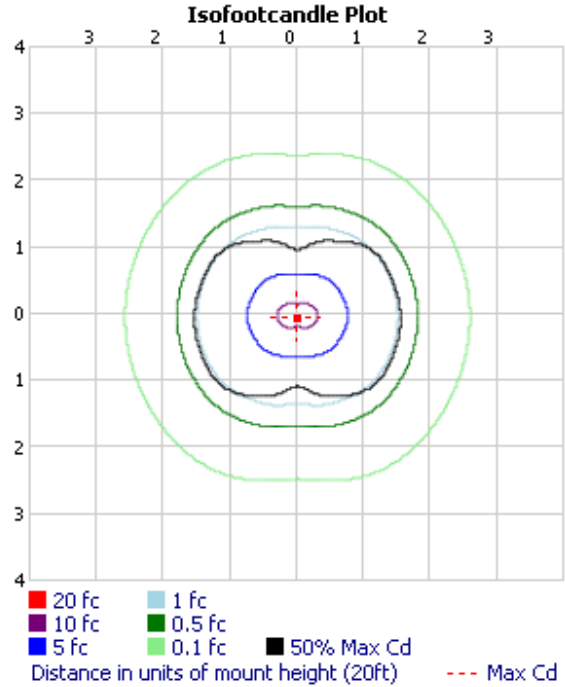
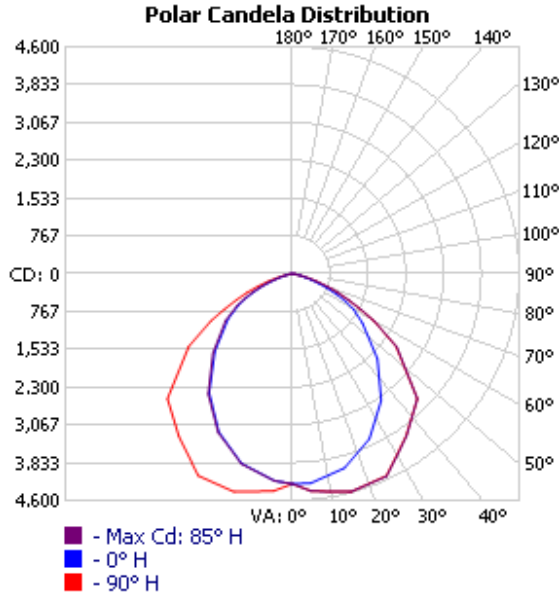
KHUWM



G G L - K H U - 3 0 1

Induction Kitty Hawk Shoebox Fixture

Photometric Data 200w:



ZONAL LUMEN SUMMARY

ZONE	LUMENS	% LAMP	% LUMINAIRE
0-30	3,559.0	19.8%	30.2%
0-40	5,842.0	32.5%	49.6%
0-60	10,125.9	56.3%	86%
60-90	1,654.1	9.2%	14%
70-100	440.4	2.4%	3.7%
90-120	0	0%	0%
0-90	11,780.0	65.4%	100%
90-180	0	0%	0%
0-180	11,780.0	65.4%	100%

LUMENS PER ZONE

ZONE	LUMENS	% TOTAL	ZONE	LUMENS	% TOTAL
0-10	413.9	3.5%	90-100	0	0%
10-20	1,230.6	10.4%	100-110	0	0%
20-30	1,914.5	16.3%	110-120	0	0%
30-40	2,282.9	19.4%	120-130	0	0%
40-50	2,352.4	20.0%	130-140	0	0%
50-60	1,931.5	16.4%	140-150	0	0%
60-70	1,213.7	10.3%	150-160	0	0%
70-80	390.7	3.3%	160-170	0	0%
80-90	49.7	0.4%	170-180	0	0%

ROADWAY SUMMARY

CUTOFF CLASSIFICATION:	FULL CUTOFF	
DISTRIBUTION:	TYPE II, VERY SHORT	
MAX CD, 90 DEG VERT:	0	
MAX CD, 80 TO <90 DEG:	139.1	
	LUMENS	% LAMP
DOWNWARD STREET SIDE:	6,035.4	33.5%
DOWNWARD HOUSE SIDE:	5,757.6	32%
DOWNWARD TOTAL:	11,793.0	65.5%
UPWARD STREET SIDE:	0	0%
UPWARD HOUSE SIDE:	0	0%
UPWARD TOTAL:	0	0%
TOTAL LUMENS:	11,793.0	65.5%

LCS TABLE

BUG RATING	B3 - U0 - G2	
FORWARD LIGHT	LUMENS	LUMENS %
LOW(0-30):	1,782.3	9.9%
MEDIUM(30-60):	3,384.0	18.8%
HIGH(60-80):	842.8	4.7%
VERY HIGH(80-90):	26.3	0.1%
BACK LIGHT		
LOW(0-30):	1,745.5	9.7%
MEDIUM(30-60):	3,225.2	17.9%
HIGH(60-80):	763.5	4.2%
VERY HIGH(80-90):	23.4	0.1%
UPLIGHT		
LOW(90-100):	0	0%
HIGH(100-180):	0	0%
TRAPPED LIGHT:	6,207.0	34.5%