



[www.GetGreenLighting.com](http://www.GetGreenLighting.com)  
Induction Lighting Provider  
(614) 556-7118

## VN-301-40-80w Parking Garage Induction Fixture



### Housing:

- ✓ Heavy-duty round die cast aluminum housing, textured powdercoat finish over a chromate conversion coating.

### Reflector:

- ✓ Two-piece aluminum reflector- remove upper section to create up light, lower section can also be removed.

### Lens:

- ✓ Clear polycarbonate prismatic optical housing with hinged gasket & drop lens for easy relamping.

### Mounting:

- ✓ Easy-Hang bracket fits standard 4" electrical box, allowing one person installation. Pendant mount or quick mount bracket available.

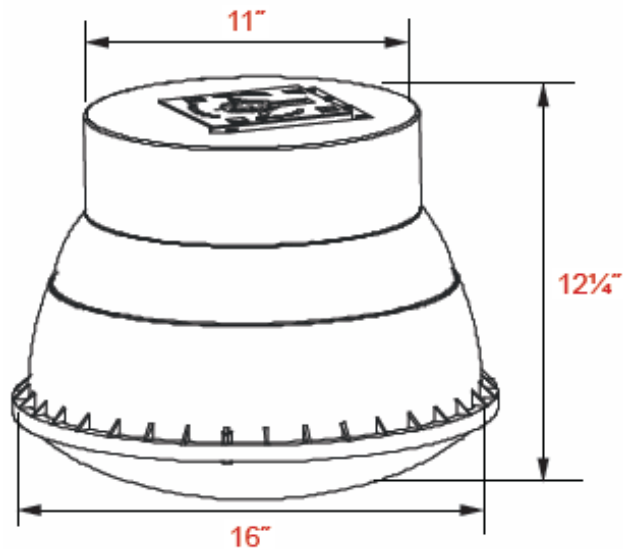
### Wattage:

- ✓ 40 or 80w, 5000K

### Listing & Ratings:

- ✓ CSA Listed for damp locations.

Custom colors available upon request.





[www.GetGreenLighting.com](http://www.GetGreenLighting.com)  
 Induction Lighting Provider  
 (614) 556-7118

**VN-301-40-80w**  
**Parking Garage Induction Fixture**

Catalog Number	Wattage	Voltage	Lamp	Ballast
GGL-VN-301-40*	40	120	Induction	Electronic
GGL-VN-301-40*	40	240	Induction	Electronic
GGL-VN-301-40*	40	277	Induction	Electronic
GGL-VN-301-80*	80	120	Induction	Electronic
GGL-VN-301-80*	80	240	Induction	Electronic
GGL-VN-301-80*	80	277	Induction	Electronic

\*Specify Color: GP = Graphite, BK = Black, WH = White, GR = Gray, BZ = Bronze

Options	
Catalog Number	Description
VNGL30PM	Pendant mount, includes junction box, slide plate, locknut & hardware.
VNQM	Hinged quick mount bracket, stamped steel. Mount over recessed electrical box, or use 3/4" NPT downrod for pendant mounting. CSA listed for damp location mounting.



**VNGL30PM**  
**(Shown Mounted)**



**VNQM**

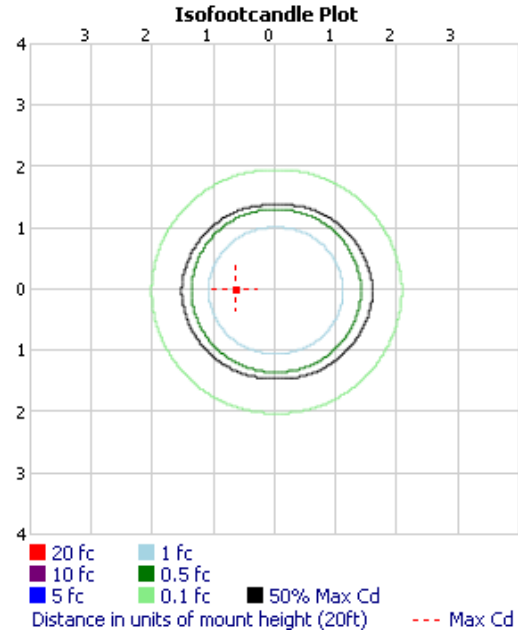
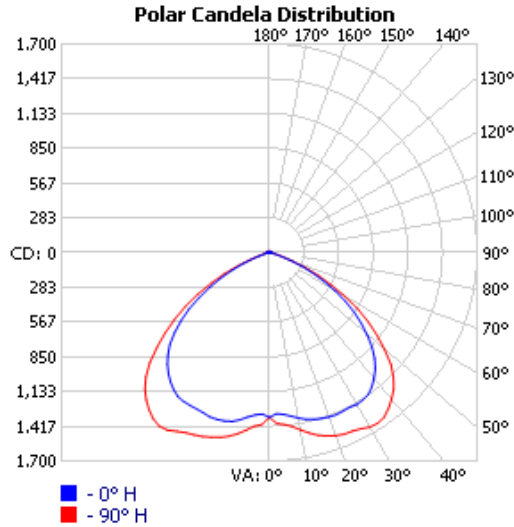


**www.GetGreenLighting.com**  
 Induction Lighting Provider  
 (614) 556-7118

# VN - 301 - 40 - 80 w

## Parking Garage Induction Fixture

### Photometric Data 80w:



ZONAL LUMEN SUMMARY			
ZONE	LUMENS	% LAMP	% LUMINAIRE
0-30	1,255.7	19.6%	27.6%
0-40	2,200.0	34.4%	48.3%
0-60	4,000.4	62.5%	87.8%
60-90	504.8	7.9%	11.1%
70-100	132.7	2.1%	2.9%
90-120	30.3	0.5%	0.7%
0-90	4,505.2	70.4%	98.9%
90-180	49.0	0.8%	1.1%
0-180	4,554.2	71.2%	100%

LUMENS PER ZONE					
ZONE	LUMENS	% TOTAL	ZONE	LUMENS	% TOTAL
0-10	132.9	2.9%	90-100	20.5	0.5%
10-20	419.9	9.2%	100-110	6.0	0.1%
20-30	703.0	15.4%	110-120	3.7	0.1%
30-40	944.2	20.7%	120-130	3.0	0.1%
40-50	1,004.6	22.1%	130-140	4.3	0.1%
50-60	795.8	17.5%	140-150	4.8	0.1%
60-70	392.7	8.6%	150-160	3.6	0.1%
70-80	82.5	1.8%	160-170	2.1	0%
80-90	29.6	0.7%	170-180	0.9	0%

ROADWAY SUMMARY			
CUTOFF CLASSIFICATION:		CUTOFF	
DISTRIBUTION:		TYPE VS	
MAX CD, 90 DEG VERT:			27.5
MAX CD, 80 TO <90 DEG:			37.4
		LUMENS	% LAMP
DOWNWARD STREET SIDE:	2,273.4		35.5%
DOWNWARD HOUSE SIDE:	2,231.9		34.9%
DOWNWARD TOTAL:	4,505.3		70.4%
UPWARD STREET SIDE:	22.9		0.4%
UPWARD HOUSE SIDE:	26.1		0.4%
UPWARD TOTAL:	49.0		0.8%
TOTAL LUMENS:	4,554.3		71.2%

LCS TABLE		
BUG RATING	B2 - U2 - G1	
FORWARD LIGHT	LUMENS	LUMENS %
LOW(0-30):	628.4	9.8%
MEDIUM(30-60):	1,384.6	21.6%
HIGH(60-80):	245.9	3.8%
VERY HIGH(80-90):	14.5	0.2%
BACK LIGHT		
LOW(0-30):	627.3	9.8%
MEDIUM(30-60):	1,360.5	21.3%
HIGH(60-80):	229.0	3.6%
VERY HIGH(80-90):	15.1	0.2%
UPLIGHT		
LOW(90-100):	20.5	0.3%
HIGH(100-180):	28.5	0.4%
TRAPPED LIGHT:	1,845.7	28.8%