



[www.GetGreenLighting.com](http://www.GetGreenLighting.com)  
Induction Lighting Provider  
(614) 556-7118

## G G L - W H - 2 0 1

### Hooded Semi-Cutoff Induction Wall Pack Fixture



#### Housing:

- ✓ Die cast aluminum housing & hinged front frame
- ✓ 1/2" coin plugs with O-rings for conduit & photocell
- ✓ Textured architectural bronze powdercoat finish over a chromate conversion coating

#### Lens:

- ✓ Tempered Clear Glass Lens

#### Reflector:

- ✓ Aluminum reflector



#### Mounting:

- ✓ Cast-in template for mounting directly over a 4" recessed outlet box, or use 1/2" surface conduit

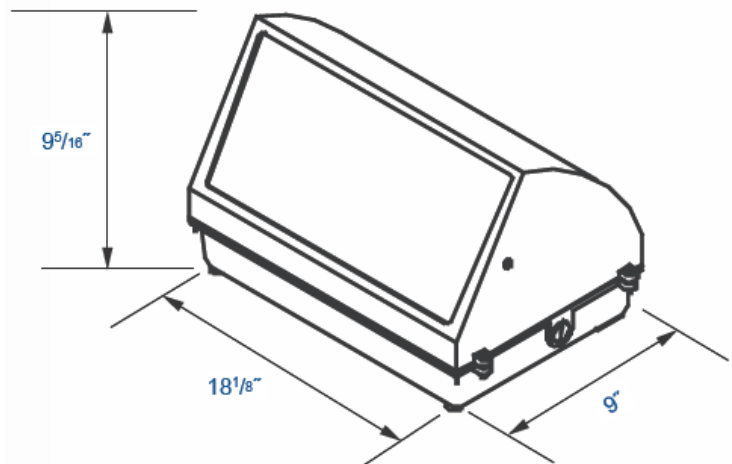
#### Wattage:

- ✓ 40 or 80w 5000K

#### Listing & Ratings:

- ✓ CSA Listed for wet locations.

Custom colors available upon request.





[www.GetGreenLighting.com](http://www.GetGreenLighting.com)  
Induction Lighting Provider  
(614) 556-7118

**G G L - W H - 2 0 1**  
**Hooded Semi-Cutoff Induction**  
**Wall Pack Fixture**

Catalog Number	Wattage	Voltage	Lamp	Ballast
GGL-WH-201-40-1205K	40	120	Induction	Electronic
GGL-WH-201-40-2405K	40	240	Induction	Electronic
GGL-WH-201-40-2775K	40	277	Induction	Electronic
GGL-WH-201-80-1205K	80	120	Induction	Electronic
GGL-WH-201-80-2405K	80	240	Induction	Electronic
GGL-WH-201-80-2775K	80	277	Induction	Electronic

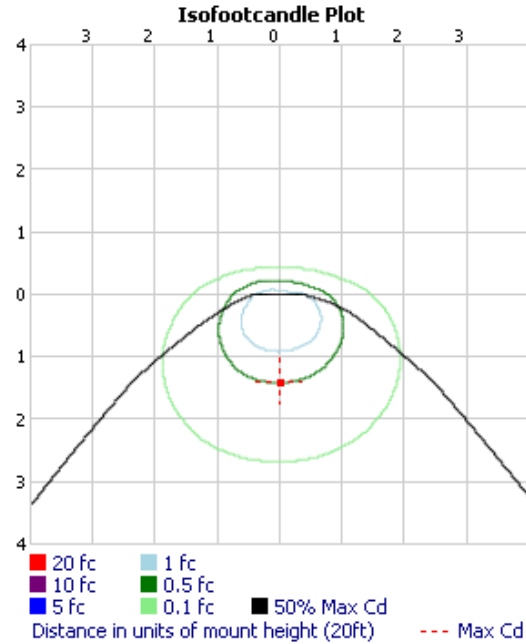
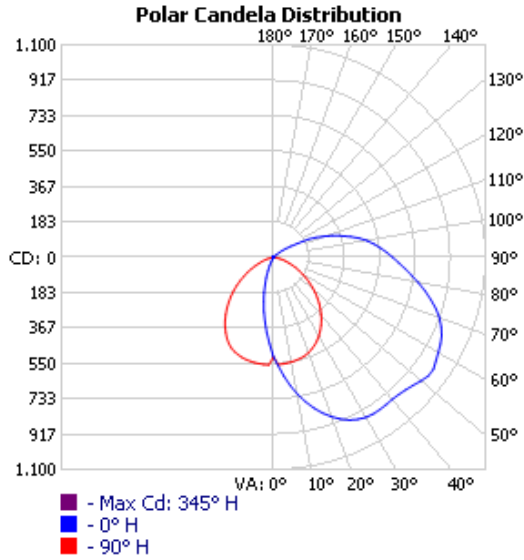
\*Specify Color: **GP**=Graphite, **BK**=Black, **WH**=White, **GR**=Gray **BZ**=Bronze



# G G L - W H - 2 0 1

## Hooded Semi-Cutoff Induction Wall Pack Fixture

### Photometric Data 80w:



ZONAL LUMEN SUMMARY			
ZONE	LUMENS	% LAMP	% LUMINAIRE
0-30	416.8	6.5%	16%
0-40	702.7	11%	26.9%
0-60	1,380.6	21.6%	52.9%
60-90	877.5	13.7%	33.6%
70-100	704.0	11%	27%
90-120	331.6	5.2%	12.7%
0-90	2,258.1	35.3%	86.5%
90-180	353.3	5.5%	13.5%
0-180	2,611.4	40.8%	100%

LUMENS PER ZONE					
ZONE	LUMENS	% TOTAL	ZONE	LUMENS	% TOTAL
0-10	49.0	1.9%	90-100	170.6	6.5%
10-20	143.1	5.5%	100-110	108.5	4.2%
20-30	224.8	8.6%	110-120	52.5	2%
30-40	285.9	10.9%	120-130	16.4	0.6%
40-50	326.6	12.5%	130-140	3.0	0.1%
50-60	351.4	13.5%	140-150	1.0	0%
60-70	344.0	13.2%	150-160	0.7	0%
70-80	300.1	11.5%	160-170	0.4	0%
80-90	233.3	8.9%	170-180	0.1	0%

ROADWAY SUMMARY		
CUTOFF CLASSIFICATION: NONCUTOFF		
DISTRIBUTION: TYPE IV, VERY SHORT		
MAX CD, 90 DEG VERT: 618.8		
MAX CD, 80 TO <90 DEG: 764.1		
	LUMENS	% LAMP
DOWNWARD STREET SIDE:	2,082.3	32.5%
DOWNWARD HOUSE SIDE:	175.9	2.7%
DOWNWARD TOTAL:	2,258.1	35.3%
UPWARD STREET SIDE:	348.3	5.4%
UPWARD HOUSE SIDE:	5.0	0.1%
UPWARD TOTAL:	353.3	5.5%
TOTAL LUMENS:	2,611.4	40.8%

LCS TABLE		
BUG RATING	B0 - U3 - G3	
FORWARD LIGHT	LUMENS	LUMENS %
LOW(0-30):	313.3	4.9%
MEDIUM(30-60):	901.1	14.1%
HIGH(60-80):	635.7	9.9%
VERY HIGH(80-90):	232.2	3.6%
BACK LIGHT		
LOW(0-30):	103.6	1.6%
MEDIUM(30-60):	62.7	1%
HIGH(60-80):	8.5	0.1%
VERY HIGH(80-90):	1.1	0%
UPLIGHT		
LOW(90-100):	170.6	2.7%
HIGH(100-180):	182.7	2.9%
TRAPPED LIGHT:	3,788.6	59.2%