



www.GetGreenLighting.com
Induction Lighting Provider
(614) 556-7118

G G L - W P - 1 5 1

Medium Induction Wall Pack Fixture



Housing:

- ✓ Die cast aluminum housing & hinged front frame
- ✓ 1/2" coin plugs with O-rings for conduit & photocell
- ✓ Textured architectural bronze powdercoat finish over a chromate conversion coating

Lens:

- ✓ Molded prismatic borosilicate glass lens

Reflector:

- ✓ Aluminum reflector

Mounting:

- ✓ Cast-in template for mounting directly over a 4" recessed outlet box, or use 1/2" surface conduit

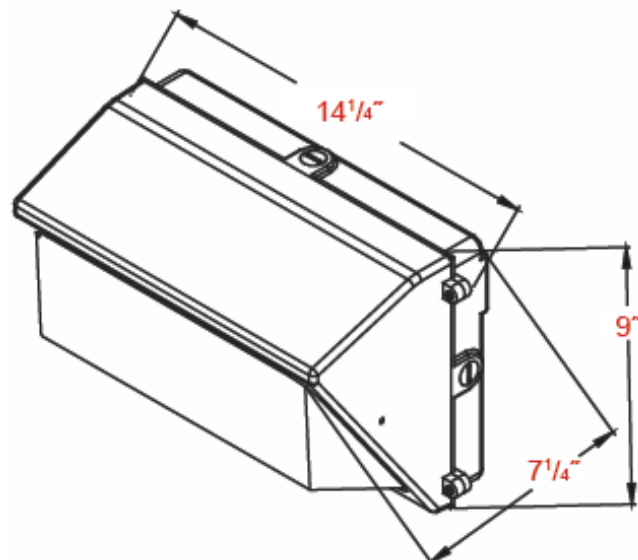
Wattage:

- ✓ 40w 5000K

Listing & Ratings:

- ✓ CSA Listed for wet locations.

Custom colors available upon request.





www.GetGreenLighting.com
 Induction Lighting Provider
 (614) 556-7118

G G L - W P - 1 5 1

Medium Induction Wall Pack Fixture

Catalog Number	Wattage	Voltage	Lamp	Ballast
GGL-WP-151-40-1205K*	40	120	Induction	Electronic
GGL-WP-151-40-2405K*	40	240	Induction	Electronic
GGL-WP-151-40-2775K*	40	277	Induction	Electronic

*Specify Color: **GP**=Graphite, **BK**=Black, **WH**=White, **GR**=Gray **BZ**=Bronze



WP15GL

Mounting Options	
Catalog Number	Description
WP15GL	Molded prismatic borosilicate glass lens with gasket
WP15FCS	Full cutoff, stamped steel, textured bronze finish
WP15FCA	Full cutoff, stamped aluminum, textured bronze finish
WP15SCA	Side cutoff, stamped aluminum textured bronze finish
WP15LG	Clear polycarbonate vandal resistant guard
WP15WG	Wire guard, stainless steel construction



WP15FCS
(Shown Mounted)



WP15SCS
(Shown Mounted)



WP15WG
(Shown Mounted)



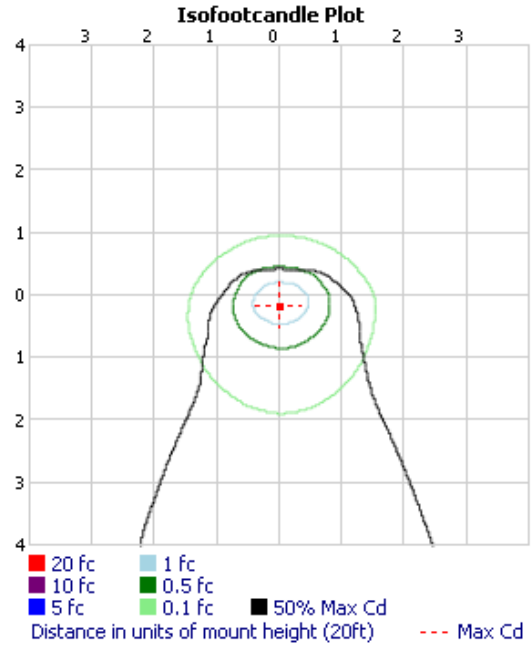
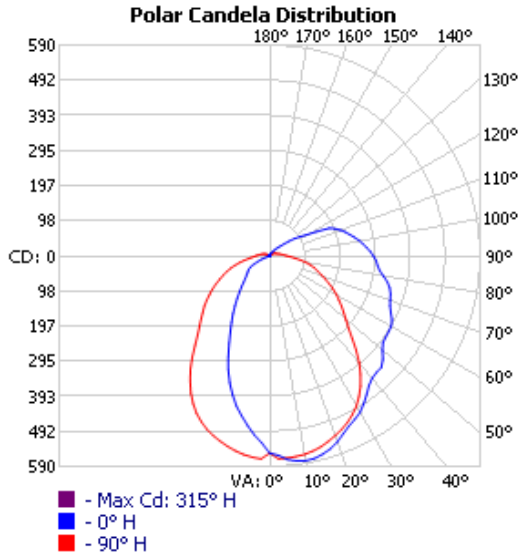
WP15LG
(Shown Mounted)



G G L - W P - 1 5 1

Medium Induction Wall Pack Fixture

Photometric Data 40w:



ZONAL LUMEN SUMMARY			
ZONE	LUMENS	% LAMP	% LUMINAIRE
0-30	399.5	14.3%	23.1%
0-40	626.2	22.4%	36.2%
0-60	1,036.7	37%	59.9%
60-90	435.4	15.5%	25.2%
70-100	356.7	12.7%	20.6%
90-120	216.4	7.7%	12.5%
0-90	1,472.1	52.6%	85.1%
90-180	258.0	9.2%	14.9%
0-180	1,730.1	61.8%	100%

LUMENS PER ZONE					
ZONE	LUMENS	% TOTAL	ZONE	LUMENS	% TOTAL
0-10	51.8	3.0%	90-100	94.3	5.5%
10-20	143.9	8.3%	100-110	72.3	4.2%
20-30	203.8	11.8%	110-120	49.7	2.9%
30-40	226.7	13.1%	120-130	25.6	1.5%
40-50	215.2	12.4%	130-140	10.1	0.6%
50-60	195.3	11.3%	140-150	3.9	0.2%
60-70	173.0	10.0%	150-160	1.5	0.1%
70-80	144.8	8.4%	160-170	0.5	0%
80-90	117.6	6.8%	170-180	0.2	0%

ROADWAY SUMMARY			
CUTOFF CLASSIFICATION:	NONCUTOFF		
DISTRIBUTION:	TYPE IV, VERY SHORT		
MAX CD, 90 DEG VERT:	290.7		
MAX CD, 80 TO <90 DEG:	323.4		
	LUMENS	% LAMP	
DOWNWARD STREET SIDE:	1,044.9	37.3%	
DOWNWARD HOUSE SIDE:	427.3	15.3%	
DOWNWARD TOTAL:	1,472.2	52.6%	
UPWARD STREET SIDE:	243.1	8.7%	
UPWARD HOUSE SIDE:	14.9	0.5%	
UPWARD TOTAL:	258.0	9.2%	
TOTAL LUMENS:	1,730.2	61.8%	

LCS TABLE		
BUG RATING	B1 - U3 - G2	
FORWARD LIGHT	LUMENS	LUMENS %
LOW(0-30):	229.9	8.2%
MEDIUM(30-60):	440.4	15.7%
HIGH(60-80):	266.3	9.5%
VERY HIGH(80-90):	108.3	3.9%
BACK LIGHT		
LOW(0-30):	169.6	6.1%
MEDIUM(30-60):	196.9	7%
HIGH(60-80):	51.5	1.8%
VERY HIGH(80-90):	9.3	0.3%
UPLIGHT		
LOW(90-100):	94.3	3.4%
HIGH(100-180):	163.7	5.8%
TRAPPED LIGHT:	1,069.8	38.2%