



[www.GetGreenLighting.com](http://www.GetGreenLighting.com)  
Induction Lighting Provider  
(614) 556-7118

## GGL-WPA-251

### Accord Style Semi-Cutoff Induction Wall Pack Fixture



#### Housing:

- ✓ Die cast aluminum housing & hinged front frame
- ✓ 1/2" coin plugs with O-rings for conduit & photocell
- ✓ Textured architectural bronze powdercoat finish over a chromate conversion coating

#### Lens:

- ✓ Molded prismatic borosilicate glass lens

#### Reflector:

- ✓ Aluminum reflector

#### Mounting:

- ✓ Cast-in template for mounting directly over a 4" recessed outlet box, or use 1/2" surface conduit
- ✓ Includes easy-hang "two hands free" wall mounting plate with leveling device on back

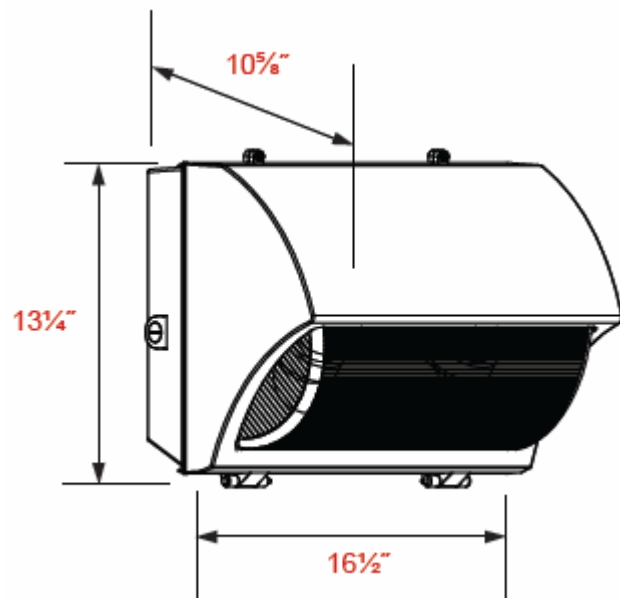
#### Wattage:

- ✓ 40, 80 or 100w 5000K

#### Listing & Ratings:

- ✓ CSA Listed for wet locations.

Custom colors available upon request.





www.GetGreenLighting.com  
 Induction Lighting Provider  
 (614) 556-7118

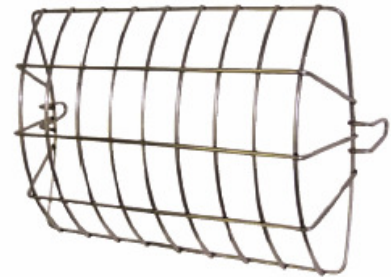
## G G L - W P A - 2 5 1

### Accord Style Semi-Cutoff Induction Wall Pack Fixture

| Catalog Number        | Wattage | Voltage | Lamp      | Ballast    |
|-----------------------|---------|---------|-----------|------------|
| GGL-WPA-251-40-1205K  | 40      | 120     | Induction | Electronic |
| GGL-WPA-251-40-2405K  | 40      | 240     | Induction | Electronic |
| GGL-WPA-251-40-2775K  | 40      | 277     | Induction | Electronic |
| GGL-WPA-251-80-1205K  | 80      | 120     | Induction | Electronic |
| GGL-WPA-251-80-2405K  | 80      | 240     | Induction | Electronic |
| GGL-WPA-251-80-2775K  | 80      | 277     | Induction | Electronic |
| GGL-WPA-251-100-1205K | 100     | 120     | Induction | Electronic |
| GGL-WPA-251-100-2405K | 100     | 240     | Induction | Electronic |
| GGL-WPA-251-100-2775K | 100     | 277     | Induction | Electronic |

\*Specify Color: **GP**=Graphite, **BK**=Black, **WH**=White, **GR**=Gray **BZ**=Bronze

| Mounting Options |                      |
|------------------|----------------------|
| Catalog Number   | Description          |
| WPAWG            | Wire guard for WPA25 |



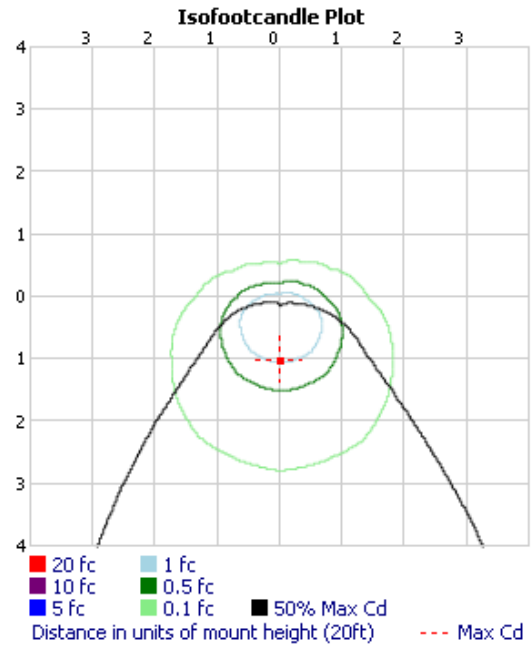
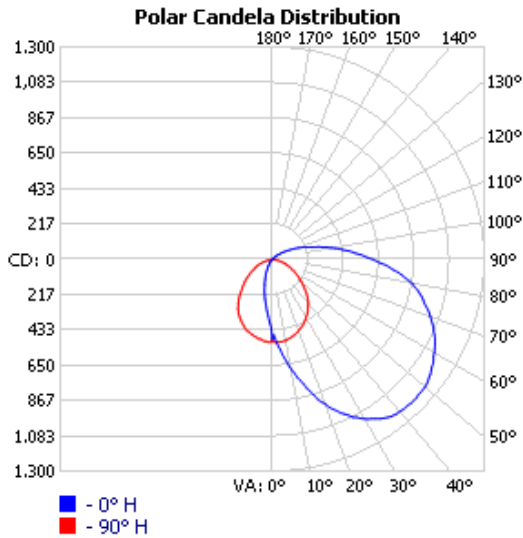
**WPA25WG**



# G G L - W P A - 2 5 1

## Accord Style Semi-Cutoff Induction Wall Pack Fixture

### Photometric Data 80w:



#### ZONAL LUMEN SUMMARY

| ZONE   | LUMENS  | % LAMP | % LUMINAIRE |
|--------|---------|--------|-------------|
| 0-30   | 434.4   | 6.8%   | 16.8%       |
| 0-40   | 756.7   | 11.8%  | 29.2%       |
| 0-60   | 1,485.2 | 23.2%  | 57.4%       |
| 60-90  | 853.7   | 13.3%  | 33%         |
| 70-100 | 649.6   | 10.2%  | 25.1%       |
| 90-120 | 238.6   | 3.7%   | 9.2%        |
| 0-90   | 2,338.9 | 36.5%  | 90.3%       |
| 90-180 | 250.3   | 3.9%   | 9.7%        |
| 0-180  | 2,589.2 | 40.5%  | 100%        |

#### LUMENS PER ZONE

| ZONE  | LUMENS | % TOTAL | ZONE    | LUMENS | % TOTAL |
|-------|--------|---------|---------|--------|---------|
| 0-10  | 47.4   | 1.8%    | 90-100  | 136.2  | 5.3%    |
| 10-20 | 144.8  | 5.6%    | 100-110 | 71.2   | 2.8%    |
| 20-30 | 242.2  | 9.4%    | 110-120 | 31.2   | 1.2%    |
| 30-40 | 322.2  | 12.4%   | 120-130 | 10.1   | 0.4%    |
| 40-50 | 363.2  | 14.0%   | 130-140 | 1.5    | 0.1%    |
| 50-60 | 365.3  | 14.1%   | 140-150 | 0      | 0%      |
| 60-70 | 340.3  | 13.1%   | 150-160 | 0      | 0%      |
| 70-80 | 293.9  | 11.4%   | 160-170 | 0      | 0%      |
| 80-90 | 219.5  | 8.5%    | 170-180 | 0      | 0%      |

#### ROADWAY SUMMARY

| CUTOFF CLASSIFICATION: | NONCUTOFF           |        |
|------------------------|---------------------|--------|
| DISTRIBUTION:          | TYPE IV, VERY SHORT |        |
| MAX CD, 90 DEG VERT:   | 615.5               |        |
| MAX CD, 80 TO <90 DEG: | 874.6               |        |
|                        | LUMENS              | % LAMP |
| DOWNWARD STREET SIDE:  | 2,127.2             | 33.2%  |
| DOWNWARD HOUSE SIDE:   | 211.8               | 3.3%   |
| DOWNWARD TOTAL:        | 2,339.0             | 36.5%  |
| UPWARD STREET SIDE:    | 250.2               | 3.9%   |
| UPWARD HOUSE SIDE:     | 0                   | 0%     |
| UPWARD TOTAL:          | 250.2               | 3.9%   |
| TOTAL LUMENS:          | 2,589.2             | 40.5%  |

#### LCS TABLE

| BUG RATING        | B0 - U3 - G2 |       |
|-------------------|--------------|-------|
| FORWARD LIGHT     | LUMENS       | %     |
| LOW(0-30):        | 326.4        | 5.1%  |
| MEDIUM(30-60):    | 961.2        | 15%   |
| HIGH(60-80):      | 620.2        | 9.7%  |
| VERY HIGH(80-90): | 219.4        | 3.4%  |
| BACK LIGHT        |              |       |
| LOW(0-30):        | 108.0        | 1.7%  |
| MEDIUM(30-60):    | 89.7         | 1.4%  |
| HIGH(60-80):      | 13.9         | 0.2%  |
| VERY HIGH(80-90): | 0.1          | 0%    |
| UPLIGHT           |              |       |
| LOW(90-100):      | 136.1        | 2.1%  |
| HIGH(100-180):    | 114.0        | 1.8%  |
| TRAPPED LIGHT:    | 3,810.8      | 59.5% |

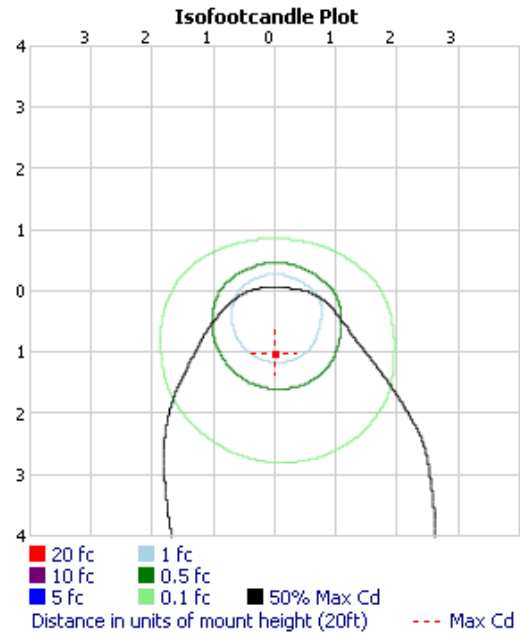
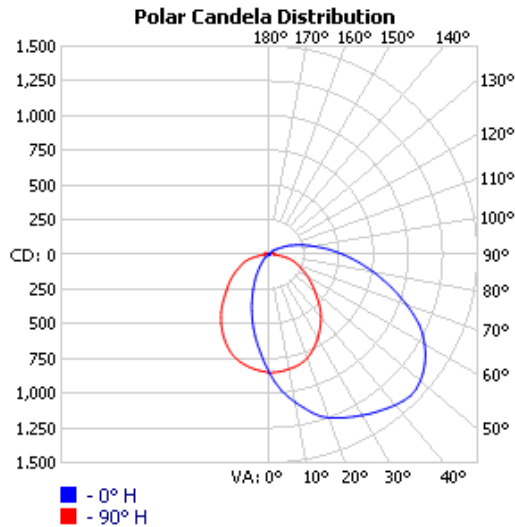


**www.GetGreenLighting.com**  
 Induction Lighting Provider  
 (614) 556-7118

# G G L - W P A - 2 5 1

## Accord Style Semi-Cutoff Induction Wall Pack Fixture

### Photometric Data 100w:



#### ZONAL LUMEN SUMMARY

| ZONE   | LUMENS  | % LAMP | % LUMINAIRE |
|--------|---------|--------|-------------|
| 0-30   | 659.4   | 8.2%   | 19.9%       |
| 0-40   | 1,085.4 | 13.6%  | 32.8%       |
| 0-60   | 2,020.2 | 25.3%  | 61%         |
| 60-90  | 978.7   | 12.2%  | 29.5%       |
| 70-100 | 705.8   | 8.8%   | 21.3%       |
| 90-120 | 274.0   | 3.4%   | 8.3%        |
| 0-90   | 2,998.9 | 37.5%  | 90.5%       |
| 90-180 | 313.3   | 3.9%   | 9.5%        |
| 0-180  | 3,312.2 | 41.4%  | 100%        |

#### LUMENS PER ZONE

| ZONE  | LUMENS | % TOTAL | ZONE    | LUMENS | % TOTAL |
|-------|--------|---------|---------|--------|---------|
| 0-10  | 80.5   | 2.4%    | 90-100  | 143.5  | 4.3%    |
| 10-20 | 230.0  | 6.9%    | 100-110 | 83.9   | 2.5%    |
| 20-30 | 348.9  | 10.5%   | 110-120 | 46.6   | 1.4%    |
| 30-40 | 426.0  | 12.9%   | 120-130 | 23.7   | 0.7%    |
| 40-50 | 468.4  | 14.1%   | 130-140 | 10.8   | 0.3%    |
| 50-60 | 466.5  | 14.1%   | 140-150 | 3.5    | 0.1%    |
| 60-70 | 416.4  | 12.6%   | 150-160 | 0.8    | 0%      |
| 70-80 | 330.5  | 10.0%   | 160-170 | 0.5    | 0%      |
| 80-90 | 231.9  | 7.0%    | 170-180 | 0.2    | 0%      |

#### ROADWAY SUMMARY

|                        |                     |        |
|------------------------|---------------------|--------|
| CUTOFF CLASSIFICATION: | NONCUTOFF           |        |
| DISTRIBUTION:          | TYPE IV, VERY SHORT |        |
| MAX CD, 90 DEG VERT:   | 535.0               |        |
| MAX CD, 80 TO <90 DEG: | 775.0               |        |
|                        | LUMENS              | % LAMP |
| DOWNWARD STREET SIDE:  | 2,505.4             | 31.3%  |
| DOWNWARD HOUSE SIDE:   | 493.6               | 6.2%   |
| DOWNWARD TOTAL:        | 2,999.1             | 37.5%  |
| UPWARD STREET SIDE:    | 291.7               | 3.6%   |
| UPWARD HOUSE SIDE:     | 21.5                | 0.3%   |
| UPWARD TOTAL:          | 313.2               | 3.9%   |
| TOTAL LUMENS:          | 3,312.2             | 41.4%  |

#### LCS TABLE

| BUG RATING        | B1 - U3 - G2 |          |
|-------------------|--------------|----------|
| FORWARD LIGHT     | LUMENS       | LUMENS % |
| LOW(0-30):        | 445.4        | 5.6%     |
| MEDIUM(30-60):    | 1,146.2      | 14.3%    |
| HIGH(60-80):      | 692.6        | 8.7%     |
| VERY HIGH(80-90): | 221.1        | 2.8%     |
| BACK LIGHT        |              |          |
| LOW(0-30):        | 214.0        | 2.7%     |
| MEDIUM(30-60):    | 214.6        | 2.7%     |
| HIGH(60-80):      | 54.2         | 0.7%     |
| VERY HIGH(80-90): | 10.7         | 0.1%     |
| UPLIGHT           |              |          |
| LOW(90-100):      | 143.4        | 1.8%     |
| HIGH(100-180):    | 169.8        | 2.1%     |
| TRAPPED LIGHT:    | 4,687.8      | 58.6%    |