



www.GetGreenLighting.com
 Induction Lighting Provider
 (614) 556-7118

G G L - 1 0 0 - Z D 1

Cobra Head Street Light.



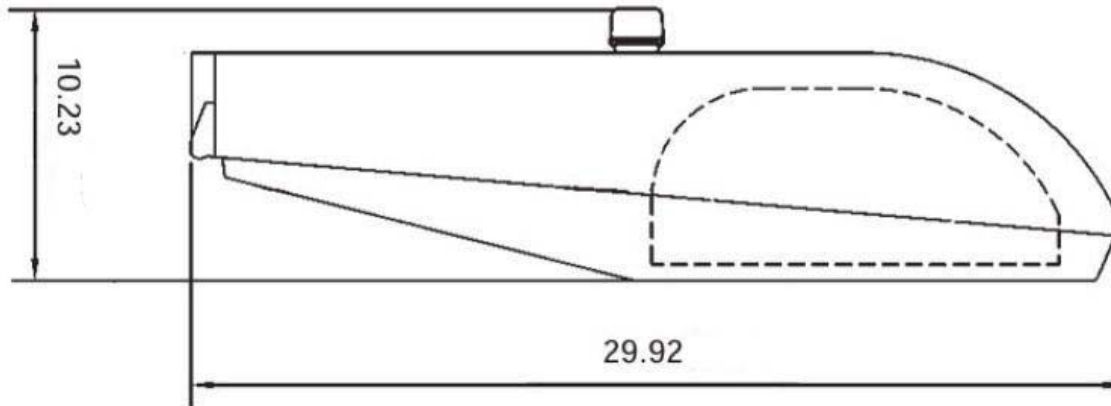
Features:

- ✓ High pressure die cast aluminum alloy housing for corrosion resistance.
- ✓ Flat tempered glass lens.
- ✓ High purity aluminum reflector with vacuum coated inner surface.
- ✓ Optional photocell.



Lamp and Ballast:

- Round tubular induction lamp features high lighting efficacy, long life, excellent color rendering index (CRI) and stable output.
- Electronic ballast features high power factor (>0.95).



Fixture Specifications								
#	Fixture Model #	Lamp	Wattage	Voltage	Kelvin	Ambient T. (C)	Conduit	UL
1	GGL-70-ZD1	RD-70	70W	120-277V	5,000	-20- +40	Round pole clamp style fitting 2.36" max	X
2	GGL-100-ZD1	RT-100	100W					X

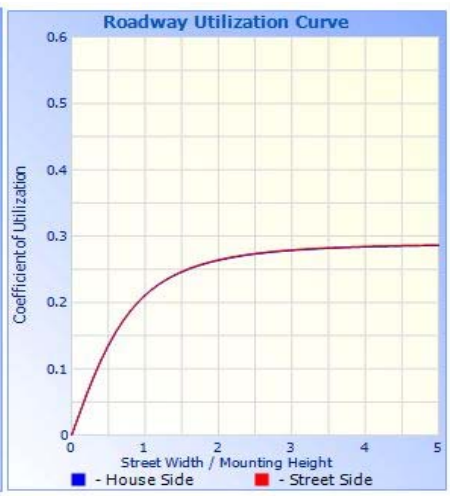
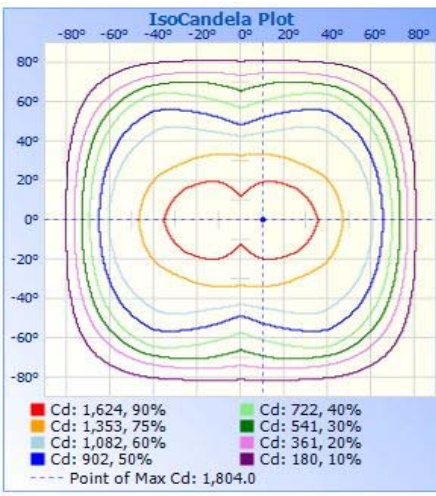
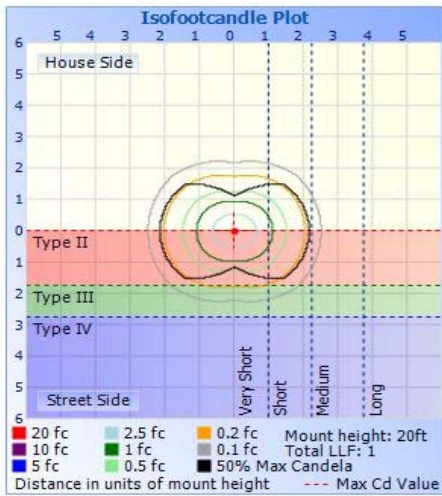


GGL-100-ZD1

Cobra Head Street Light.

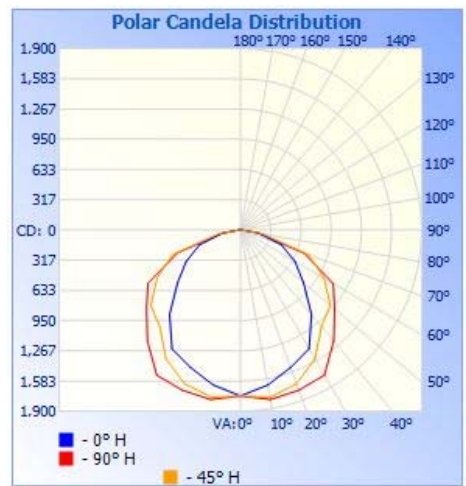
GGL-100-ZD1 Luminaire Photometric Report.

Luminaire: 100 Watt Induction Cobra Head
 Luminaire Cat: GGL-100-ZD1
 Lamp: (1) 100W Induction
 Lamp Output: (1) lamp, rated lumens/Lamp 9625
 Max Candela: 1,804.0 at Horizontal: 90°, Vertical 10°
 Input Wattage: 110
 Luminous Opening: Point
 Photometry: Type C
 CIE Class: Direct



Roadway Summary			
Cutoff Classification:	CUTOFF		
Distribution:	Type VS		
Max Cd, 90 Deg Vert:	18.2		
Max Cd, 80 to <90 Deg:	237.3		
	Lumens	% Lamp	
Downward Street Side:	2,811.3	29.2%	
Downward House Side:	2,811.3	29.2%	
Downward Total:	5,622.7	58.4%	
Upward Street Side:	3.6	0%	
Upward House Side:	3.6	0%	
Upward Total:	7.2	0.1%	
Total Lumens:	5,629.9	58.5%	

Illuminance at a Distance			
Center Beam FC	Beam Width		
8.3ft	25.04 fc	21.6ft	36.2ft
16.7ft	6.26 fc	43.1ft	72.3ft
25.0ft	2.78 fc	64.7ft	108.5ft
33.3ft	1.56 fc	86.3ft	144.6ft
41.7ft	1.00 fc	107.8ft	180.8ft
50.0ft	0.70 fc	129.4ft	217.0ft
	Vert. Spread: 104.6°	Horiz. Spread: 130.5°	



Lumens Per Zone					
Zone	Lumens	% Total	Zone	Lumens	% Total
0-10	108.5	3.0%	90-100	4.7	0.1%
10-20	315.8	8.7%	100-110	0.0	0%
20-30	489.8	13.4%	110-120	0	0%
30-40	590.3	16.2%	120-130	0	0%
40-50	621.9	17.1%	130-140	0	0%
50-60	610.7	16.7%	140-150	0	0%
60-70	521.0	14.3%	150-160	0	0%
70-80	302.8	8.3%	160-170	0	0%
80-90	80.7	2.2%	170-180	0	0%

Zonal Lumen Summary			
Zone	Lumens	% Lamp	% Luminaire
0-30	1,406.3	14.6%	25.1%
0-40	2,314.4	24%	41.3%
0-60	4,210.7	43.7%	75.1%
60-90	1,391.6	14.5%	24.8%
0-90	5,602.4	58.2%	99.9%
90-180	7.2	0.1%	0.1%
0-180	5,609.6	58.3%	100%
Efficiency Total: 58.3%			

Flood Summary				
	Efficiency	Lumens	Horizontal Spread	Vertical Spread
Field (10%):	57.3%	5,518.8	161	162.4
Beam (50%):	44.8%	4,312.0	130.5	104.6
Total:	58.3%	5,614.0		