



www.GetGreenLighting.com  
 Induction Lighting Provider  
 (614) 556-7118

**G G L - 1 0 0 V N**  
**Garage Canopy Induction Fixture.**



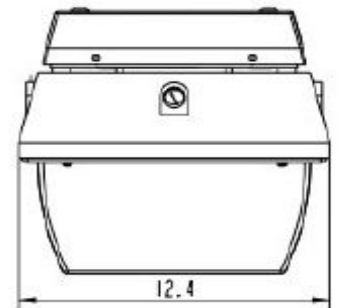
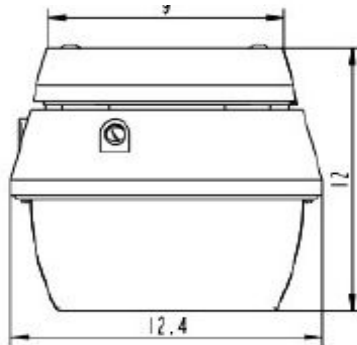
**Features:**

- ✓ Die cast housing with powder painting.
- ✓ High purity aluminum reflector, high reflecting ratio, high efficiency.
- ✓ UV stabilized polycarbonate lens.
- ✓ Assembled with 100W round induction lamp.
- ✓ Heat resistant silicone rubber sealant ring to ensure a water tight seal.



**Lamp and Ballast:**

- Round induction lamp features high lighting efficacy, long life, excellent color rendering index (CRI) and stable output.
- Electronic ballast features high power factor (>0.95).



<b>Fixture Specifications</b>									
#	Fixture Model #	Lamp	Wattage	Voltage	Kelvin	Ambient T. (C)	Mounting	Note	UL
1	GGL-85-VN	VL85	85	120-277V	5,000	-20- +40	Surface	Globe style lamp, PC lens	X
2	GGL-100-VN	RD100	100					PC lens	X

\*Color temperature 2,720-6,500 available upon request



## GGL-100VN Garage Canopy Induction Fixture.

### GGL-100VN Luminaire Photometric Report.

#### Technical Data:

<b>Input voltage:</b>	120-277V 50/60Hz.
<b>Long life:</b>	Average lifetime of 100,000 hours.
<b>High lighting efficiency:</b>	65-90 lm/w
<b>High color rendering index:</b>	Above 80 RI.
<b>Quick start:</b>	Instant start and re-strike.
<b>High power factor:</b>	0.95.
<b>High frequency operation:</b>	No flickering, eyesight friendly.
<b>Low Lamp Lumen Depreciation:</b>	Luminance maintenance rate 70% at 60,000 hours.
<b>Constant wattage output:</b>	The lamps output varies less than 3% with the input fluctuation up to $\pm 10\%$ .
<b>Strong adaptability:</b>	Operating ambient temperature $-20^{\circ}\text{C}$ to $+50^{\circ}\text{C}$ with enclosed fixture, lamp for $-40^{\circ}$ available.
<b>Low harmonic distortion:</b>	THD < 10% meets international standard level L.
<b>Dimming function:</b>	Optional intelligent dimming controller.

