



www.GetGreenLighting.com
 Induction Lighting Provider
 (614) 556-7118

GGL-70-ZD1 Cobra Head Street Light.



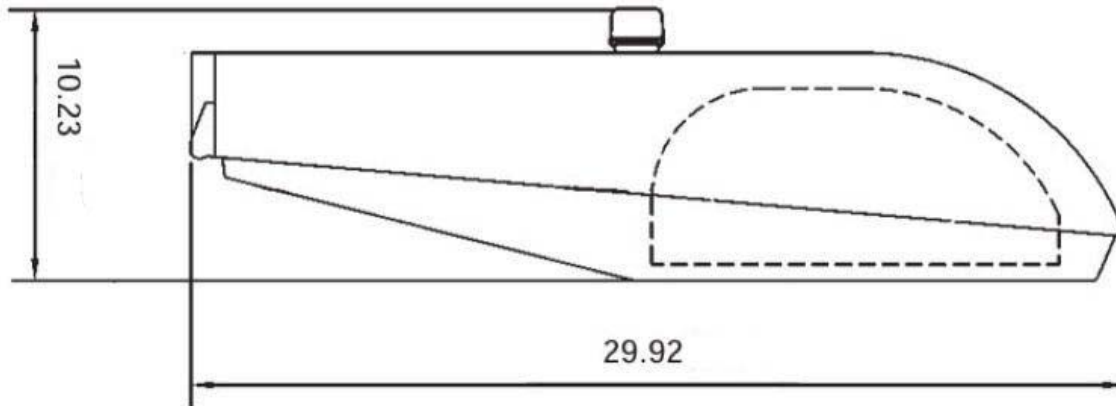
Features:

- ✓ High pressure die cast aluminum alloy housing for corrosion resistance.
- ✓ Flat tempered glass lens.
- ✓ High purity aluminum reflector with vacuum coated inner surface.
- ✓ Optional photocell.



Lamp and Ballast:

- Round tubular induction lamp features high lighting efficacy, long life, excellent color rendering index (CRI) and stable output.
- Electronic ballast features high power factor (>0.95).



Fixture Specifications								
#	Fixture Model #	Lamp	Wattage	Voltage	Kelvin	Ambient T. (C)	Conduit	UL
1	GGL-70-ZD1	RD-70	70W	120-	5,000	-20- +40	Round pole clamp style fitting 2.36" max	X
2	GGL-100-ZD1	RT-100	100W	277V				X

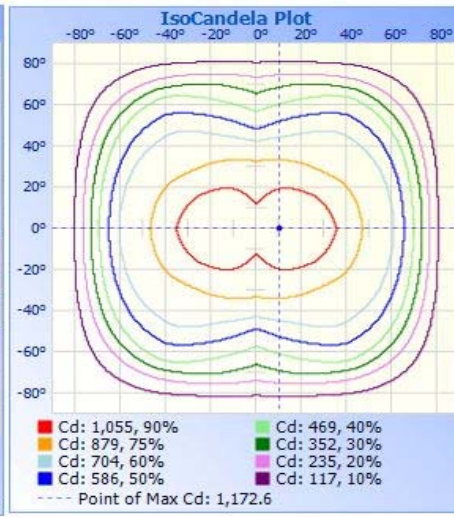
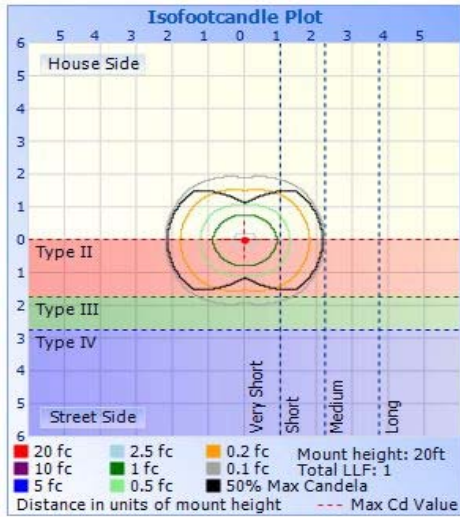


GGL-70-ZD1

Cobra Head Street Light.

GGL-70-ZD1 Luminaire Photometric Report.

Luminaire:	70 Watt Induction Cobra Head
Luminaire Cat:	GGL-70-ZD1
Lamp:	(1) 70W Induction
Lamp Output:	(1) lamp, rated lumens/Lamp 6500
Max Candela:	1,172.6 at Horizontal: 90°, Vertical 10°
Input Wattage:	75
Luminous Opening:	Point
Photometry:	Type C
CIE Class	Direct



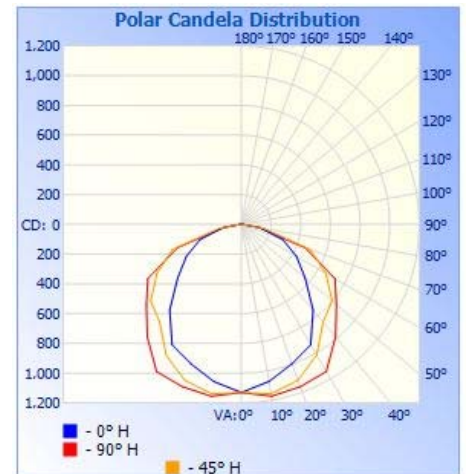
Roadway Summary

Cutoff Classification:	CUTOFF
Distribution:	Type VS
Max Cd, 90 Deg Vert:	11.8
Max Cd, 80 to <90 Deg:	154.2
	Lumens % Lamp
Downward Street Side:	1,827.4 28.1%
Downward House Side:	1,827.4 28.1%
Downward Total:	3,654.7 56.2%
Upward Street Side:	2.3 0%
Upward House Side:	2.3 0%
Upward Total:	4.7 0.1%
Total Lumens:	3,659.4 56.3%

Illuminance at a Distance

	Center Beam FC	Beam Width	
8.3ft	16.27 fc	21.6ft	36.2ft
16.7ft	4.07 fc	43.1ft	72.3ft
25.0ft	1.81 fc	64.7ft	108.5ft
33.3ft	1.02 fc	86.3ft	144.6ft
41.7ft	0.65 fc	107.8ft	180.8ft
50.0ft	0.45 fc	129.4ft	217.0ft

Vert. Spread: 104.6° Horiz. Spread: 130.5°



Lumens Per Zone

Zone	Lumens	% Total	Zone	Lumens	% Total
0-10	108.5	3.0%	90-100	4.7	0.1%
10-20	315.8	8.7%	100-110	0.0	0%
20-30	489.8	13.4%	110-120	0	0%
30-40	590.3	16.2%	120-130	0	0%
40-50	621.9	17.1%	130-140	0	0%
50-60	610.7	16.7%	140-150	0	0%
60-70	521.0	14.3%	150-160	0	0%
70-80	302.8	8.3%	160-170	0	0%
80-90	80.7	2.2%	170-180	0	0%

Flood Summary

	Efficiency	Lumens	Horizontal Spread	Vertical Spread
Field (10%):	55.2%	3,587.2	161	162.4
Beam (50%):	43.1%	2,802.8	130.5	104.6
Total:	56.1%	3,649.1		

Zonal Lumen Summary

Zone	Lumens	% Lamp	% Luminaire
0-30	914.1	14.1%	25.1%
0-40	1,504.4	23.1%	41.3%
0-60	2,737.0	42.1%	75.1%
60-90	904.6	13.9%	24.8%
0-90	3,641.5	56%	99.9%
90-180	4.7	0.1%	0.1%
0-180	3,646.2	56.1%	100%

Efficiency Total: 56.1%