



www.GetGreenLighting.com
 Induction Lighting Provider
 (614) 556-7118

GGL-85VN

Garage Canopy Induction Fixture.



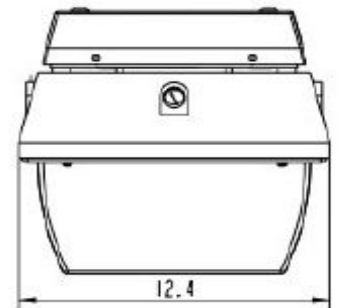
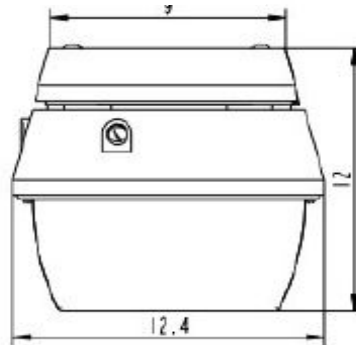
Features:

- ✓ Die cast housing with powder painting.
- ✓ High purity aluminum reflector, high reflecting ratio, high efficiency.
- ✓ UV stabilized polycarbonate lens.
- ✓ Assembled with 85W globe induction lamp.
- ✓ Heat resistant silicone rubber sealant ring to ensure a water tight seal.



Lamp and Ballast:

- Globe induction lamp features high lighting efficacy, long life, excellent color rendering index (CRI) and stable output.
- Electronic ballast features high power factor (>0.95).



Fixture Specifications									
#	Fixture Model #	Lamp	Wattage	Voltage	Kelvin	Ambient T. (C)	Mounting	Note	UL
1	GGL-85-VN	VL85	85	120-277V	5,000	-20- +40	Surface	Globe style lamp, PC lens	X
2	GGL-100-VN	RD100	100					PC lens	X

*Color temperature 2,720-6,500 available upon request



GGL - 85 V N Garage Canopy Induction Fixture.

GGL-VN Luminaire Photometric Report.

Technical Data:

Input voltage:	120-277V 50/60Hz.
Long life:	Average lifetime of 100.000 hours.
High lighting efficiency:	65-90 lm/w
High color rendering index:	Above 80 RI.
Quick start:	Instant start and re-strike.
High power factor:	0.95.
High frequency operation:	No flickering, eyesight friendly.
Low Lamp Lumen Depreciation:	Luminance maintenance rate 70% at 60,000 hours.
Constant wattage output:	The lamps output varies less than 3% with the input fluctuation up to $\pm 10\%$.
Strong adaptability:	Operating ambient temperature -20°C - $+ 50^{\circ}\text{C}$ with enclosed fixture, lamp for -40° available.
Low harmonic distortion:	THD $<10\%$ meets international standard level L.
Dimming function:	Optional intelligent dimming controller.

